

611F-LFA

class 125, outside screw & yoke, gate valve
lead free



job name:	
job location:	
engineer:	
contractor:	
tag:	
PO#:	
rep:	
wholesale dist.:	

description

The **Apollo International™ model 611F-LFA** flanged cast iron gate valve provides full flow capabilities. The model 611F-LFA gate valve can be reliably installed in plumbing and heating systems (or building service piping). Valves are MSS SP-70 compliant and include NSF lead free certifications.

features

- compatible with ANSI 125# & 150# flanges
- full port
- bronze mounted seat rings/trim
- solid wedge
- adjustable graphite stem packing
- outside screw & yoke
- flanged connection
- bolted bonnet
- rugged iron hand wheel
- back seat protection
- FDA food grade epoxy powder coat finish

standards

- MSS SP-70 - gray iron gate valves flanged and threaded - type 1
- ASME B16.10 - face-to-face and end-to-end dimensions of valves

approvals

- NSF/ANSI/CAN 372 lead free
- NSF/ANSI/CAN 61 water quality
- CSA B51-CRN certified OC12102.8 (2"-12")

performance rating

- cold working pressure:
200 psi (13.8 bar) at 100° F (2"-12")
150 psi (10.3 bar) at 100° F (14")
- saturated steam:
125 psi (8.6 bar) at 353°F (2"-12")
100 psi (6.9 bar) at 338°F (14")
- temperature range: -20°F to 406°F max

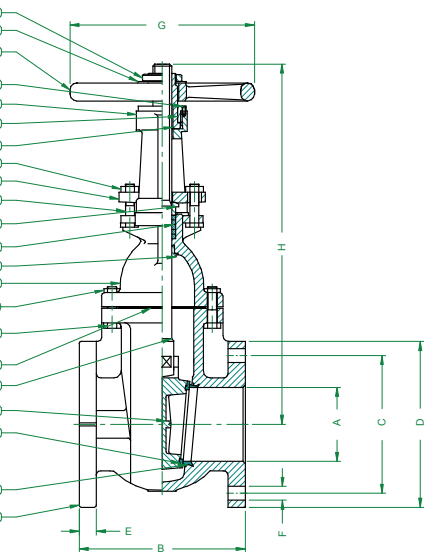
standard material list

no.	component	material	no.	component	material
1	body	cast iron (ASTM A126 CL B)	12	packing gland	cast lead free bronze
2	seat rings	cast lead free bronze	13	gland follower bolts	carbon steel (ASTM A307 B)
3	wedge face rings	cast lead free bronze	14	gland follower nut	carbon steel (ASTM A307 B)
4	wedge	cast lead free bronze	15	gland follower	ductile iron (ASTM A536 65-45-12)
5	stem	cast lead free bronze	16	yoke bushing	cast lead free bronze
6	body gasket	graphite	17	yoke bushing nut	cast iron (ASTM A126 CL B)
7	bolts	carbon steel (ASTM A307 B)	18	screw	carbon steel (ASTM A307 B)
8	nuts	carbon steel (ASTM A307 B)	19	handwheel	cast iron (ASTM A126 CL B)
9	bonnet	cast iron (ASTM A126 CL B)	20	nameplate	aluminum
10	back seat bushing	cast lead free bronze	21	handwheel nut	ductile iron (ASTM A536 65-45-12)
11	packing	graphite	22	yoke	cast iron (ASTM A126 CL B)

dimensions

part no.	size	weight	Cv(typ)	dimensions							
				a	b	c	d	e	f	g	h (open)
6GA118B1LFA	2"	38 lbs	328	2.00"	7.00"	4.75"	6.00"	0.62"	0.75"	7"	14.96"
6GA119B1LFA	2.5"	51 lbs	482	2.50"	7.50"	5.50"	7.00"	0.69"	0.75"	7"	16.93"
6GA110B1LFA	3"	62 lbs	744	3.00"	8.00"	6.00"	7.50"	0.75"	0.75"	8"	19.09"
6GA11AB1LFA	4"	110 lbs	1316	4.00"	9.00"	7.50"	9.00"	0.94"	0.75"	10"	24.21"
6GA11BB1LFA	5"	154 lbs	2130	5.00"	10.00"	8.50"	10.00"	0.94"	0.88"	12"	27.56"
6GA11CB1LFA	6"	203 lbs	3176	6.00"	10.50"	9.50"	11.00"	1.00"	0.88"	12"	32.87"
6GA11EB1LFA	8"	284 lbs	5692	8.00"	11.50"	11.75"	13.50"	1.12"	0.88"	14"	39.76"
6GA11GB1LFA	10"	459 lbs	8972	10.00"	13.00"	14.25"	16.00"	1.19"	1.00"	16"	48.03"
6GA11HB1LFA	12"	637 lbs	13352	12.00"	14.00"	17.00"	19.00"	1.25"	1.00"	18"	56.50"
6GA11JB1LFA	14"	966 lbs	16278	14.00"	15.00"	18.75"	20.98"	1.38"	1.14"	20"	65.16"

Cv = GPM @ 1 psi pressure drop, 60°F water
*Cv values are estimates only
**LFA models replace LF models



*lead free: The wetted surfaces of this product shall contain no more than 0.25% lead by weighted average. Complies with Federal Public Law 111-380. ANSI 3rd party approved and listed.