

611F-LF

class 125, outside screw & yoke, gate valve
lead free



job name:	
job location:	
engineer:	
contractor:	
tag:	
PO#:	
rep:	
wholesale dist.:	

description

The **Apollo International™ model 611F-LF** flanged cast Iron gate valve provides full flow capabilities. The model 611F-LF gate valve can reliably be installed in plumbing and heating systems (or building service piping). Valves are MSS SP-70 compliant and include NSF/ANSI 372 lead free certifications.

features

- compatible with ANSI 125# & 150# flanges
- full port
- bronze mounted seat rings/trim
- solid wedge
- adjustable graphite stem packing
- outside screw & yoke
- flanged connection
- bolted bonnet
- rugged iron hand wheel
- back seat protection

standards

- MSS SP-70 - gray iron gate valves flanged and threaded - type 1
- ASME B16.10 - face-to-face and end-to-end dimensions of valves

performance rating

- cold working pressure: 200 psi (13.8 bar) at 100° F (2"-3")
- temperature range: -20° F - 180° F max

note: not for steam use

approvals

- NSF/ANSI 372 lead free
- NSF/ANSI 61 water quality
- CSA B51-CRN certified OC12102.8 (2"-12")

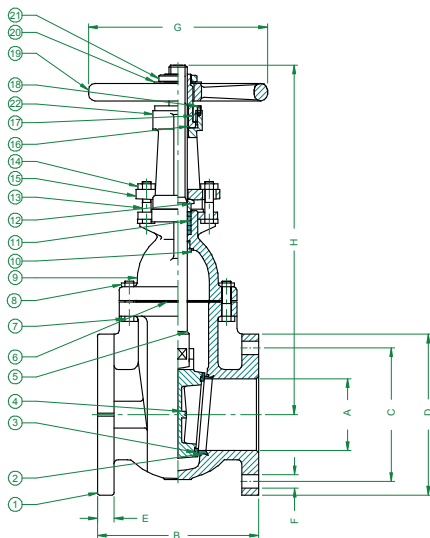
standard material list

no.	component	material	no.	component	material
1	body	cast iron (ASTM A126 CL B)	12	packing gland	cast lead free bronze
2	seat rings	cast lead free bronze	13	gland follower bolts	carbon steel (ASTM A307 B)
3	wedge face rings	cast lead free bronze	14	gland follower nut	carbon steel (ASTM A307 B)
4	wedge	cast lead free bronze	15	gland follower	ductile iron (ASTM A536 65-45-12)
5	stem	cast lead free bronze	16	yoke bushing	cast lead free bronze
6	body gasket	graphite	17	yoke bushing nut	cast iron (ASTM A 126 CL B)
7	bolts	carbon steel (ASTM A307 B)	18	screw	carbon steel (ASTM A307 B)
8	nuts	carbon steel (ASTM A307 B)	19	handwheel	cast iron (ASTM A 126 CL B)
9	bonnet	cast iron (ASTM A126 CL B)	20	nameplate	aluminum
10	back seat bushing	cast lead free bronze	21	handwheel nut	ductile iron (ASTM A536 65-45-12)
11	packing	graphite	22	yoke	cast iron (ASTM A 126 CL B)

dimensions

part no.	size	weight	Cv(typ)	dimensions							
				a	b	c	d	e	f	g	h (open)
6GA-118-B1-LF	2"	38 lbs	328	2.00"	7.00"	4.75"	6.00"	0.62"	0.75"	7"	14.96"
6GA-119-B1-LF	2.5"	51 lbs	482	2.50"	7.50"	5.50"	7.00"	0.69"	0.75"	7"	16.93"
6GA-110-B1-LF	3"	62 lbs	744	3.00"	8.00"	6.00"	7.50"	0.75"	0.75"	8"	19.09"

Cv = GPM @ 1 psi pressure drop, 60°F water
*Cv values are estimates only
**LFA models replace LF models



*lead free: The wetted surfaces of this product shall contain no more than 0.25% lead by weighted average. Complies with Federal Public Law 111-380. ANSI 3rd party approved and listed.