

# ACTUATORS AND CONTROLS

## Solenoids

### DIRECT MOUNTED NAMUR SOLENOID VALVES

### SOLENOID GENERAL SPECIFICATIONS

#### TEMPERATURE LIMITS:

Media: 0°F to +180°F.

Ambient:

1: NEMA 4, 4X 0°F to +180°F.

2: NEMA 4-4X-7-9, 0°F to +125°F.

#### COIL RATINGS:

1: NEMA 4, 4X: Continuous duty molded Class H insulation.

2: NEMA 4-4X-7-9: Continuous duty molded Class F

#### POWER CONSUMPTION:

6 Watts

#### MATERIALS:

Valve Body=Aluminum, anodized.

Fasteners=Stainless Steel

Seals & O-Rings=Nitrile.

#### CV FLOW RATE:

1.8

#### COIL VOLTAGES AVAILABLE:

Coil Voltage Variation: +/-10% of Nominal

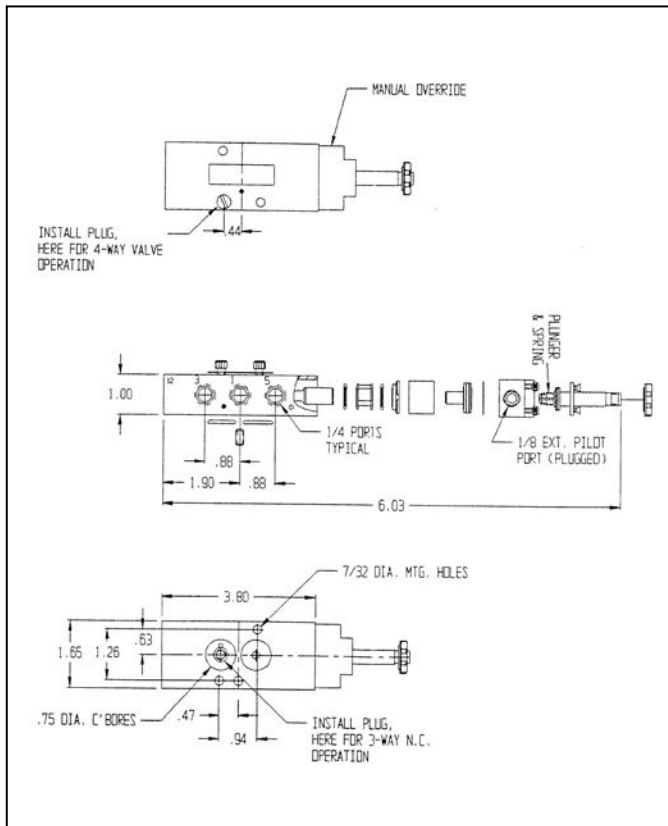
1: 120 VAC-60 Hz/110 VAC-50 Hz.

2: 240 VAC-60 Hz/220 VAC-50 Hz/120 VDC.

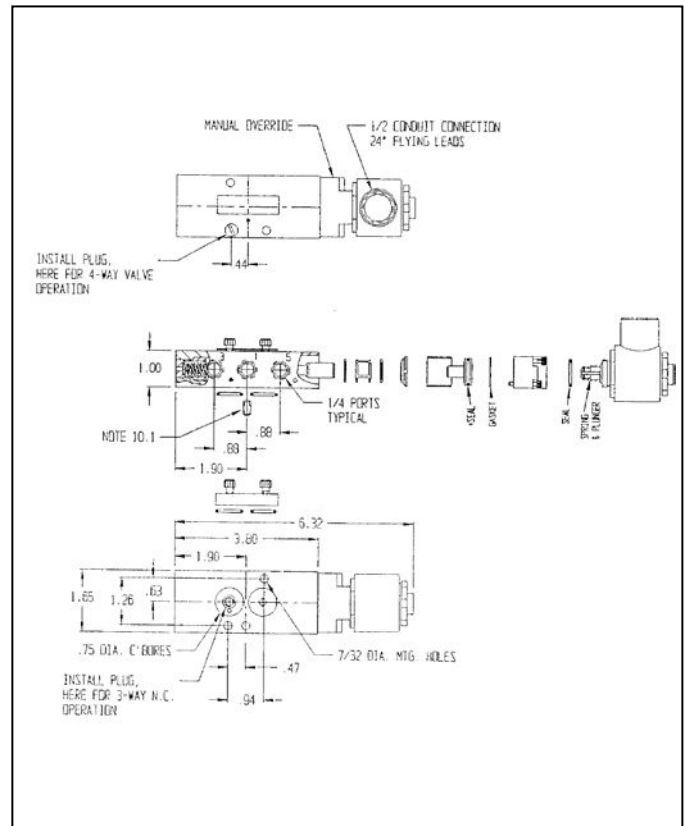
3: 48 VAC-60 Hz/44 VAC-50 Hz/24 VDC.

4: 24 VAC-60 Hz/22 VAC-50 Hz/12 VDC.

#### NEMA 4-4X UL, CSA, PTB&CE

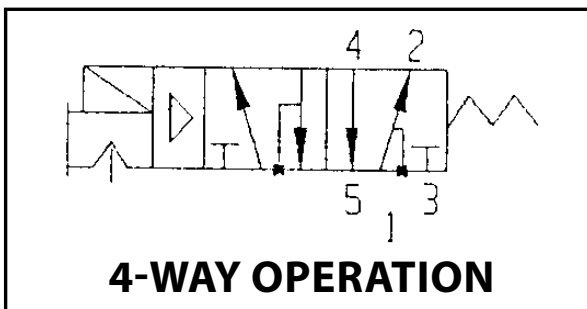
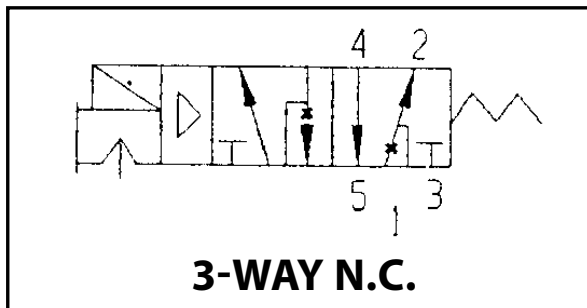
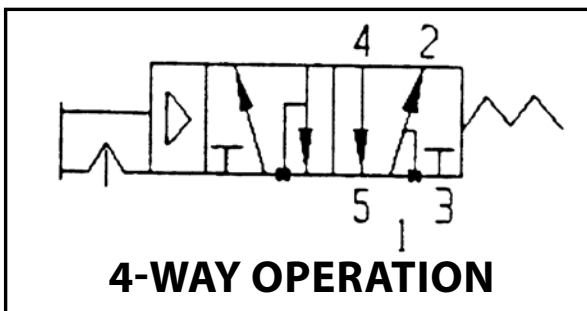
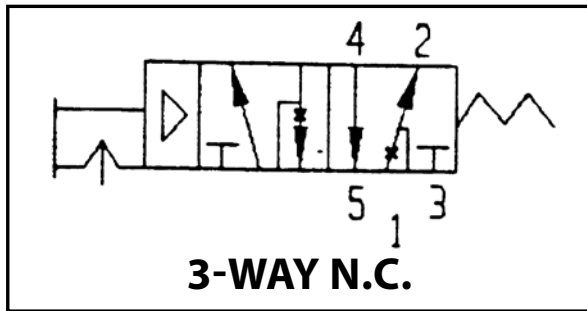


#### NEMA 4, 4X, 7 & 9 UL, CSA, PTB&CE



# ACTUATORS AND CONTROLS

## Solenoids



### SOLENOID VALVES

AVC NAMUR \*Three & Four-way, end mounted coil

Solenoids: Cv=1.8

For NAMUR Direct Mount

Part No.		
3T8-411-40A	115 VAC NEMA 4	0025 thru 4000
3T8-421-40A	12 VDC/24 VAC NEMA4	0025 thru 4000
3T8-431-40A	24 VDC/48 VAC NEMA4	0025 thru 4000
3T8-441-40A	220 VAC NEMA4	0025 thru 4000
3T8-711-40A	115 VAC NEMA7	0025 thru 4000
3T8-721-40A	12 VDC/24 VAC NEMA7	0025 thru 4000
3T8-731-40A	24 VDC/48 VAC NEMA7	0025 thru 4000
3T8-741-40A	220 VAC NEMA7	0025 thru 4000

Part No.		
3T8-411-32A	115 VAC NEMA 4	032, 200 & 270
3T8-421-32A	12 VDC/24 VAC NEMA4	032, 200 & 270
3T8-431-32A	24 VDC/48 VAC NEMA4	032, 200 & 270
3T8-441-32A	220 VAC NEMA4	032, 200 & 270
3T8-711-32A	115 VAC NEMA7	032, 200 & 270
3T8-721-32A	12 VDC/24 VAC NEMA7	032, 200 & 270
3T8-731-32A	24 VDC/48 VAC NEMA7	032, 200 & 270
3T8-741-32A	220 VAC NEMA7	032, 200 & 270

All above include adapters to turn "NAMUR 90°"

Part No.		
3T8-000-32B	Adapter	032, 200 & 270
3T8-000-32A	Adapter	0025-4000