

Apollo 88A-395-A0

Carbon Steel ANSI Class 150 NPT x NPT Full Port AAR Ball Valve - 1"

Standards Compliance

ASME B16.5 - "Pipe Flanges and Flanged Fittings"
 ASME B16.34 - "Valves - Flanged, Threaded, and Welding End"
 API 607 - "Fire Test - Soft Seated Quarter Turn Valves"
 API 608 - "Ball Valves - Flanged, Threaded, and Welding End"
 MSS SP-25 - "Standard Marking System for Valves"
 MSS SP-61 - "Pressure Testing of Steel Valves"
 ASME B31.1, B31.3, & B31.8 - Pressure Piping Standards
 AAR Approval Number: E009003

Standard Features

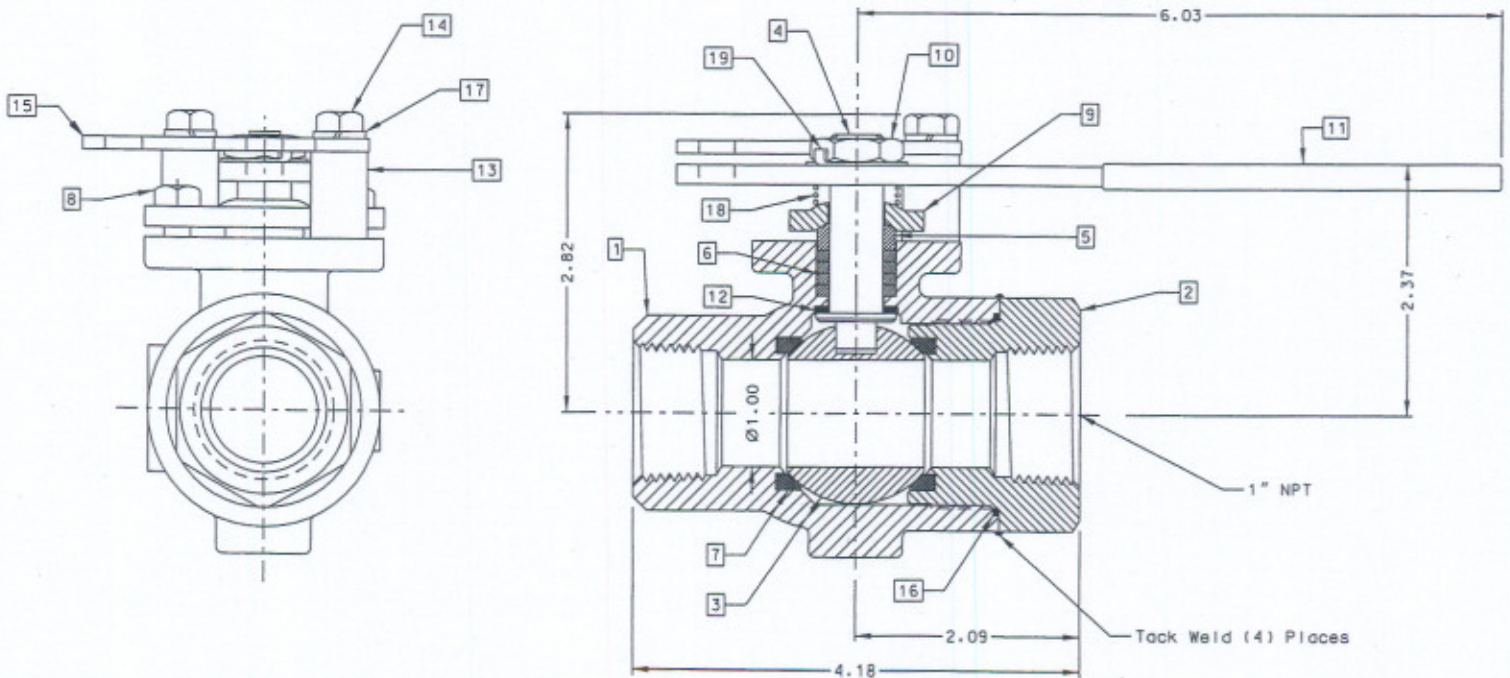
Two Position Locking Device
 Antistatic Grounded Stem
 Blow-out Proof Stem Design
 Four Point ISO 5211 Mounting Pad Bolt Circle
 Full Bore Design for Maximum Flow Efficiency
 Slot Vented Ball for Thermal Expansion
 Vacuum Service to 29 inches Hg

Materials of Construction

Description	Material	Description	Material
1. Body	ASTM A216 WCB	11. Lever	302 or 304 SS with Vinyl Grip
2. Retainer	ASTM A108 Type 1215	12. Stem Bearing	RPTFE
3. Ball	ASTM A276 Type 316	13. Stop	ASTM A276 Type 316
4. Stem	ASTM A276 Type 316	14. Stop Screw	316 Stainless Steel
5. Packing Gland	ASTM A276 Type 316	15. Lock Plate	302 or 304 Stainless Steel
6. Stem Seals	Graphoil	16. Body Seal	Graphoil
7. Seats	RPTFE	17. Lockwasher	18-8 Stainless Steel
8. Gland Screws	ASTM A193 B8 Class 1	18. Grounding Spring	Stainless Steel
9. Gland Plate	302 or 304 Stainless Steel	19. Lockwasher	302 Stainless Steel
10. Stem Nut	316 Stainless Steel		

For special configurations contact the factory.

For Pressure/Temperature Ratings,
 Refer to Page N-9, Graph No. 2



Apollo 88A-398-A0

Carbon Steel ANSI Class 150 NPT x NPT Full Port AAR Ball Valve - 2"

Standards Compliance

ASME B16.5 - "Pipe Flanges and Flanged Fittings"
 ASME B16.34 - "Valves - Flanged, Threaded, and Welding End"
 API 607 - "Fire Test - Soft Seated Quarter Turn Valves"
 API 608 - "Ball Valves - Flanged, Threaded, and Welding End"
 MSS SP-25 - "Standard Marking System for Valves"
 MSS SP-61 - "Pressure Testing of Steel Valves"
 ASME B31.1, B31.3, & B31.8 - Pressure Piping Standards
 AAR Approval Number: E009004

Standard Features

Two Position Locking Device
 Antistatic Grounded Stem
 Blow-out Proof Stem Design
 Four Point ISO 5211 Mounting Pad Bolt Circle
 Full Bore Design for Maximum Flow Efficiency
 Slot Vented Ball for Thermal Expansion
 Vacuum Service to 29 inches Hg

Materials of Construction

Description	Material
1. Body	ASTM A216 WCB
2. Retainer	ASTM A216 WCB
3. Ball	ASTM A276 Type 316
4. Stem	ASTM A276 Type 316
5. Packing Gland	ASTM A276 Type 316
6. Stem Seals	Graphoil
7. Seats	RPTFE
8. Gland Screws	ASTM A193 B8 Class 1
9. Gland Plate	302 or 304 Stainless Steel
10. Stem Nut	316 Stainless Steel
11. Lever	302 or 304 SS with Vinyl Grip
12. Stem Bearing	RPTFE

Description	Material
13. Stop	ASTM A276 Type 316
14. Stop Screw	316 Stainless Steel
15. Lock Plate	302 or 304 Stainless Steel
16. Body Seal	Graphoil
17. Lockwasher	18-8 Stainless Steel
18. Grounding Spring	Stainless Steel
19. Lockwasher	302 Stainless Steel
20. Body Joint Stud	ASTM A193 Grade B7
21. Body Joint Nut	ASTM A194 Grade 2H
22. Lockwasher	302 Stainless Steel

For special configurations contact the factory.

For Pressure/Temperature Ratings,
 Refer to Page N-9, Graph No. 2

