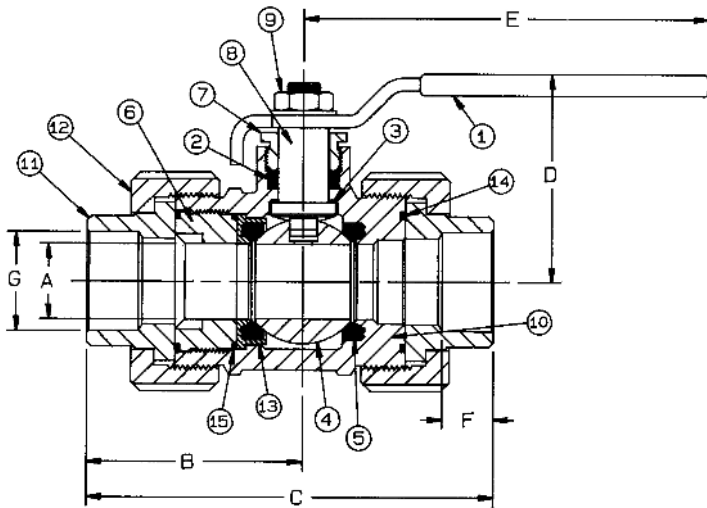




socket weld, 1/2" to 1" 2000 CWP (psig), 1-1/4" to 2" 1500 CWP (psig). cold non-shock.
150 psig saturated steam, vacuum service to 29 inches Hg.
MSS SP-110 compliant.

features

- heavy duty quarter turn handles
- reinforced seats and seals
- blowout-proof stem design
- adjustable packing gland



options available

(more information in section J)

note: all options and materials listed are not available for all valves and sizes listed. pricing may be subjected to minimum requirements and material availability.

- minimum quantities apply
- to specify an option, replace the "01" standard suffix with the suffix of the option.
- to specify multiple options, replace the "01" suffix with the desired suffixes in the numerical order shown below. note: not all suffixes can be combined together

(suffix)	option	sizes
-01	standard configuration	All
-02-	stem grounded	1/2" to 2"
-04-	2-1/4" CS stem extension	1/2" to 1-1/2"
-07-	steel tee handle	1/2" to 1-1/2"
-08-	90° reversed stem	1/2" to 2"
-14-	side vented ball (uni-directional)	1/2" to 2"
-15-	wheel handle, steel	1/2" to 1-1/2"
-18-	plain yellow grip	1/2" to 2"
-22-	viton union seals	1/2" to 2"
-27-	ss latch-lock lever & nut	1/2" to 1-1/2"
-29-	graphite packing & seals	1/2" to 2"
-32-	ss tee handle & nut	1/2" to 2"
-45-	less lever & nut	1/2" to 2"
-46-	latch-lock lever - lock in closed position only	1/2" to 1-1/2"
-49-	assembled dry	1/2" to 2"
-57-	oxygen cleaned	1/2" to 2"
-60-	grounded ball & stem	1/2" to 2"
-64-	250# steam trim	1/2" to 2"

standard material list

part	material
1 lever and grip	304 SS w/vinyl
2 stem packing	MPTFE
3 stem bearing	RPTFE
4 ball	A276-316
5 seat (2)	RPTFE
6 retainer	A276-316
7 gland nut	A276-316
8 stem	A276-316
9 lever nut	18-8 SS
10 body	A351-CF8M
11 tailpiece (2)	A276-316
12 union nut (2)	A108-CS
13 seat holder	A276-316
14 union seal (2)	RPTFE
15 retainer seal	RPTFE

pressure/temperature ratings -
page M-14, graph no. 14 (1/2" to 1")
page M-13, graph no. 12 (1-1/4" to 2")

dimensions

part no.	size	A	B	C	D	E	F	G	WT.
76-403-01	1/2"	0.62	2.27	4.33	2.12	4.87	0.43	0.855	2.88
76-404-01	3/4"	0.81	2.46	4.51	2.31	4.87	0.56	1.065	3.81
76-405-01	1"	1.00	2.89	5.45	2.75	5.50	0.68	1.330	5.98
76-406-01	1-1/4"	1.25	2.88	5.32	2.97	5.50	0.81	1.675	8.47
76-407-01	1-1/2"	1.50	3.43	6.43	3.39	7.87	0.87	1.915	12.61
76-408-01	2"	1.75	3.75	6.87	4.12	9.87	1.06	2.406	16.88