



# 70-100-BC Series

## Bronze Ball Valve

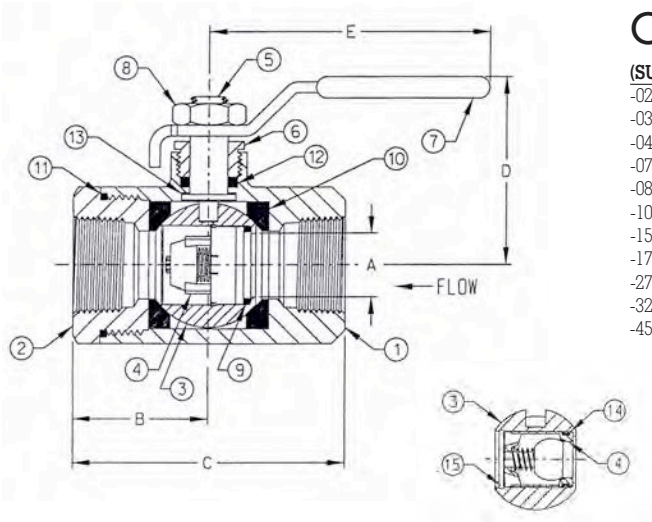
Threaded, 250 psig WOG, Cold Non-Shock.  
Federal Specification: WW-V-35C, Type: II, Composition: BZ, Style: 3.

### FEATURES

- Chromium plated ball
- Reinforced TFE seats & stuffing box ring
- Blow-out-proof stem design
- Adjustable packing gland

### STANDARD MATERIAL LIST

1. Body	B584-C84400	8. Lever nut	Steel, zinc plated
2. Retainer	B16 (1/2"-1")	9. O-ring	Nitrile
	B584-C84400 (1-1/4"-2")	10. Seat (2)	Reinforced TFE
3. Ball	B16, chrome plated	11. Body seal	TFE (1-1/4", 2")
4. Check valve insert	Acetal	12. Stem packing	Reinforced TFE
5. Stem	B16	13. Stem bearing	Reinforced TFE
6. Gland nut	B16	14. Seal	EPDM (1/2")
7. Lever and grip	Steel, zinc plated w/vinyl	15. Retaining ring	Spring steel (1/2")



### OPTIONS AVAILABLE:

(SUFFIX)	OPTION	SIZES
-02-	Stem Grounded	1/2" to 2"
-03-	1-1/4" CS Stem Extension	1/2" to 2"
-04-	2-1/4" CS Stem Extension	1/2" to 2"
-07-	Tee Handle	1/2" to 2"
-08-	90° Reversed Stem	1/2" to 2"
-10-	SS Lever & Nut	1/2" to 2"
-15-	Wheel Handle, Steel	1/2" to 2"
-17-	Rough Chrome Plated - Bronze Valves	1/2" to 2"
-27-	SS Latch-Lock Lever & Nut	1/2" to 2"
-32-	SS Tee Handle & Nut	1/2" to 2"
-45-	Less Lever & Nut	1/2" to 2"

### BRONZE BALL VALVE

NUMBER	SIZE	A	B	C	D	E	Cv.	Wt.
70-103-BC	1/2"	.43	1.11	2.22	1.80	3.87	1.9	.63
70-104-BC	3/4"	.45	1.50	3.00	2.12	4.87	5.6	1.33
70-105-BC	1"	.59	1.68	3.37	2.25	4.87	10.6	1.77
70-106-BC	1-1/4"	.75	2.00	4.00	2.73	5.50	14.6	3.29
70-107-BC	1-1/2"	1.02	2.14	4.31	3.09	8.00	27	4.63
70-108-BC	2"	1.27	2.35	4.68	3.28	8.00	45	6.01