

submittal sheet

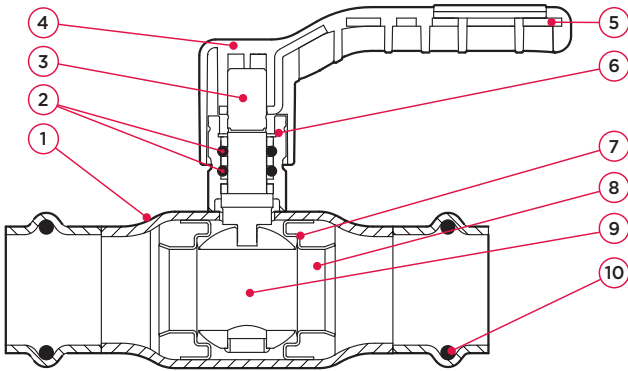


SM500H FullFlow ball valve HNBR
(2 x press)



specifications

- stainless steel AISI 316
- 100% full port
- compact, one piece design
- blow-out proof stem design
- max. pressure 300 psi (20.7 bar)
- operating temperature -22°F to 212°F (230°F short term)
- Leak Before Press® technology
- Visu-Control™ foil material and press identifier
- double o-ring HNBR stem seal
- unique valve identification
- 5-year limited warranty



no.	component	material
1	body	stainless steel (AISI 316L/1.4404)
2	stem seal	HNBR
3	stem	stainless steel (AISI 316L/1.4404)
4	handle	fiberglass reinforced composite (PA66)
5	handle reinforcement	stainless steel (AISI 316L/1.4404)
6	stem bearing	PTFE
7	seat	PTFE
8	sprung support ring	stainless steel (AISI 316L/1.4404)
9	ball	stainless steel (AISI 316L/1.4404)
10	sealing element	HNBR

maximum pressure

operating pressure	test pressure shell	test pressure seat
300 psi (20.7 bar)	451 (31.1 bar)	331 psi (22.8 bar)

pressure equipment directive category

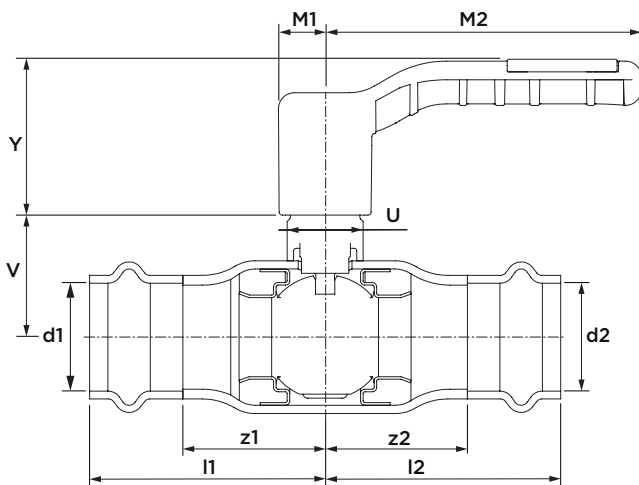
all sizes	SEP
-----------	-----

certifications & listings

- NSF/ANSI/CAN 61
- NSF/ANSI/CAN 372

compliant with

- ASTM A312
- ASTM A554
- ASME B31.1, 31.3, 31.9
- IAPMO/ANSI/CAN Z1117 (press ends)



size	item no.	weight [lb]	Cv [gpm]	l1/l2	z1/z2	M1	M2	V	Y	U
½" (DN10)	123 457 171	0.66	24.4	2.24	1.20	0.47	2.95	1.14	1.69	0.71
¾" (DN20)	123 457 172	0.90	42.9	2.51	1.47	0.47	2.95	1.26	1.69	0.71
1" (DN25)	123 457 173	1.69	75.7	2.93	1.77	0.59	3.94	1.54	1.97	0.71
1½" (DN40)	123 457 174	3.77	163.6	4.06	2.72	0.67	6.50	1.93	2.01	1.10
2" (DN50)	123 457 175	5.84	356.5	4.69	3.11	0.67	6.50	2.24	2.01	1.10