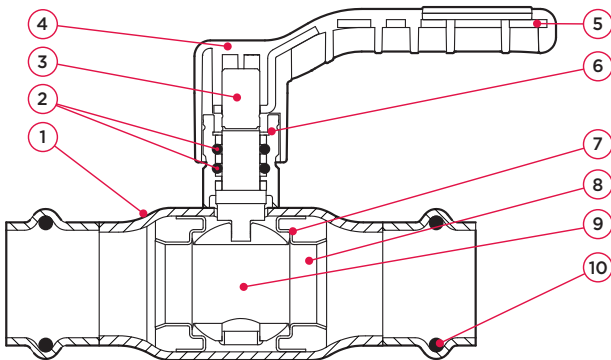


submittal sheet



**SM500F FullFlow ball valve FKM**  
(2 x press)



specifications

- stainless steel AISI 316
- 100% full port
- compact, one piece design
- blow-out proof stem design
- max. pressure 300 psi (20.7 bar)
- operating temperature -4°F to 275°F (302°F short term)
- Leak Before Press® technology
- Visu-Control™ foil material and press identifier
- double o-ring FKM stem seal
- unique valve identification
- 5-year limited warranty

no.	component	material
1	body	stainless steel (AISI 316L/1.4404)
2	stem seal	FKM
3	stem	stainless steel (AISI 316L/1.4404)
4	handle	fiberglass reinforced composite (PA66)
5	handle reinforcement	stainless steel (AISI 316L/1.4404)
6	stem bearing	PTFE
7	seat	PTFE
8	sprung support ring	stainless steel (AISI 316L/1.4404)
9	ball	stainless steel (AISI 316L/1.4404)
10	sealing element	FKM

maximum pressure

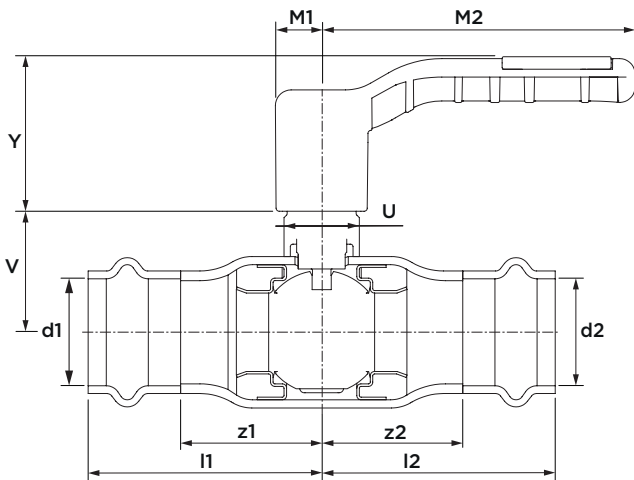
max. operating pressure	test pressure shell	test pressure seat
300 psi (20.7 bar)	451 (31.1 bar)	331 psi (22.8 bar)

pressure equipment directive category

all sizes	SEP
-----------	-----

compliant with

- ASTM A312
- ASTM A554
- ASME B31.1, 31.3, 31.9
- IAPMO/ANSI/CAN Z1117 (press ends)



size	item no.	weight [lb]	Cv [gpm]	l1/l2	z1/z2	M1	M2	V	Y	U
½" (DN10)	123 457 181	0.66	24.4	2.24	1.20	0.47	2.95	1.14	1.69	0.71
¾" (DN20)	123 457 182	0.90	42.9	2.51	1.47	0.47	2.95	1.26	1.69	0.71
1" (DN25)	123 457 183	1.69	75.7	2.93	1.77	0.59	3.94	1.54	1.97	0.71
1½" (DN40)	123 457 184	3.77	163.6	4.06	2.72	0.67	6.50	1.93	2.01	1.10
2" (DN50)	123 457 185	5.84	356.5	4.69	3.11	0.67	6.50	2.24	2.01	1.10

\* factory installed FKM sealing elements for Apollo® SmartPress SM500F FullFlow ball valves are pre-lubricated with silicone based lubricant