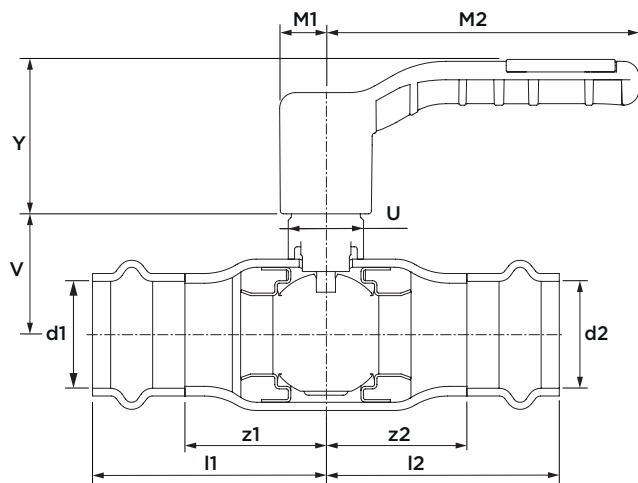
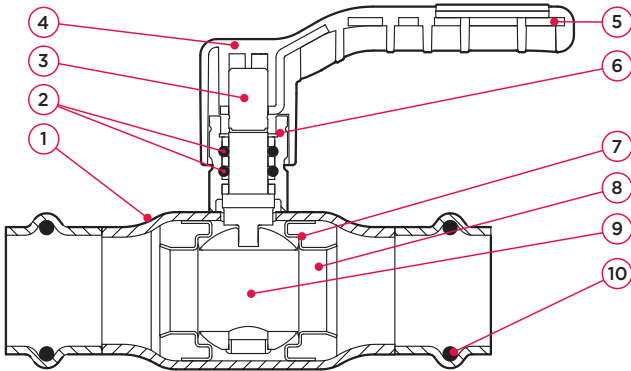


submittal sheet



SM500E FullFlow ball valve EPDM

(2 x press)



specifications

- stainless steel AISI 316
- 100% full port
- compact, one piece design
- blow-out proof stem design
- max. pressure 300 psi (20.7 bar)
- operating temperature -31°F to 275°F (302°F short term)
- Leak Before Press® technology
- Visu-Control™ foil material and press identifier
- double o-ring EPDM stem seal
- unique valve identification
- 5-year limited warranty

no.	component	material
1	body	stainless steel (AISI 316L/1.4404)
2	stem seal	EPDM
3	stem	stainless steel (AISI 316L/1.4404)
4	handle	fiberglass reinforced composite (PA66)
5	handle reinforcement	stainless steel (AISI 316L/1.4404)
6	stem bearing	PTFE
7	seat	PTFE
8	sprung support ring	stainless steel (AISI 316L/1.4404)
9	ball	stainless steel (AISI 316L/1.4404)
10	sealing element	EPDM

maximum pressure

operating pressure	test pressure shell	test pressure seat
300 psi (20.7 bar)	451 psi (31.1 bar)	331 psi (22.8 bar)

pressure equipment directive category

all sizes	SEP
-----------	-----

certifications & listings

- NSF/ANSI/CAN 61
- NSF/ANSI/CAN 372

compliant with

- ASTM A312
- ASTM A554
- ASME B31.1, 31.3, 31.9
- IAPMO/ANSI/CAN Z1117 (press ends)

size	item no.	weight [lb]	Cv [gpm]	l1/l2	z1/z2	M1	M2	V	Y	U
½" (DN10)	123 457 176	0.66	24.4	2.24	1.20	0.47	2.95	1.14	1.69	0.71
¾" (DN20)	123 457 177	0.90	42.9	2.51	1.47	0.47	2.95	1.26	1.69	0.71
1" (DN25)	123 457 178	1.69	75.7	2.93	1.77	0.59	3.94	1.54	1.97	0.71
1½" (DN40)	123 457 179	3.77	163.6	4.06	2.72	0.67	6.50	1.93	2.01	1.10
2" (DN50)	123 457 180	5.84	356.5	4.69	3.11	0.67	6.50	2.24	2.01	1.10