

submittal sheet

**89FVH series**  
gas ball valve



**standard materials**

<b>BODY</b>	ASTM A216-WCB carbon steel
<b>SEAT</b>	Reinforced PTFE
<b>BALL</b>	ASTM A276-316 Stainless Steel
<b>STEM PACKING</b>	Multi-Fill PTFE
<b>NUT</b>	Corrosion Resistant Plated Steel
<b>STEM</b>	ASTM A276-316 Stainless Steel
<b>RETAINER</b>	ASTM A108-12L14 carbon steel
<b>SEALING ELEMENT</b>	HNBR (Yellow)
<b>HANDLE</b>	Plated Steel/Insulated Polyvinyl
<b>GLAND</b>	ASTM A108-1215 carbon steel
<b>STEM BEARING</b>	Reinforced PTFE
<b>BODY SEAL</b>	PTFE

**ball valve**  
gas

**description**

the Apollo PowerPress® 89FV gas ball valve is ideal for installation in compressed air and fuel gas applications. this valve design significantly reduces installation time and helps maintain a clean working environment. the Apollo PowerPress® is designed for steel pipe, schedules 10 to 40, as defined by ASTM a53, a106, a135 and A795 standards.

**features**

- patented visual control ring (yellow)
- HNBR sealing element
- full-port flow
- adjustable stem packing
- fast, reliable, economical press installation
- Ridgid® & Milwaukee press tool compatible
- leak before press® technology
- blowout-proof stem
- corrosion resistant materials
- 100% factory tested
- silicone free assembly
- made in USA, ARRA compliant

**approved applications**

- compressed air
- fuel gas

**options**

- (-01) standard (PTFE packing, RPTFE body seal)
- (-02) grounded stem
- (-04) 2¼" stem extension
- (-11) Therma-Seal™ insulating tee handle
- (-14) side vented ball (uni-directional)
- (-24) graphite stem packing
- (-27) ss latch-lock lever and nut
- (-32) ss tee handle and nut
- (-39) ss hi-rise locking wheel handle with ss nut
- (-45) less lever and nut
- (-47) SS latch lock oval handle
- (-48) SS oval handle (no latch)
- (-49) assembled dry
- (-60) grounded ball and stem

**performance rating**

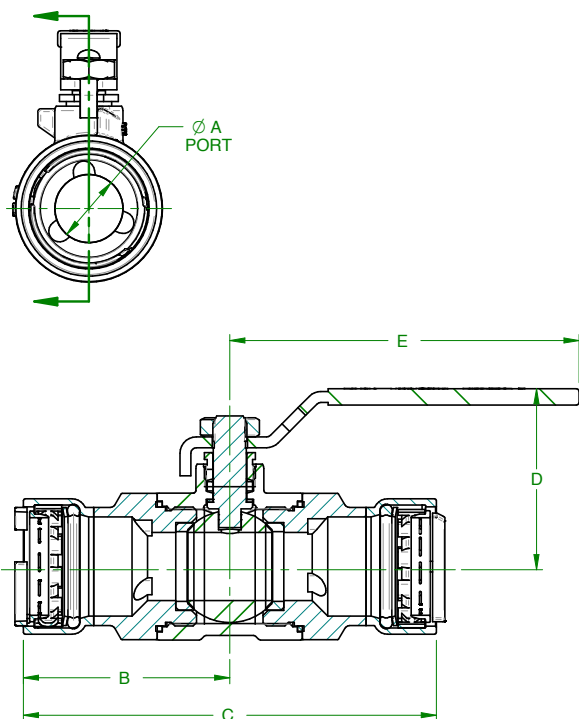
- maximum operating pressure: 125 PSI max for fuel gas applications 200 PSI max for other approved applications
- temperature range: -40°F - 194°F

**approvals**

- ANSI LC4/CSA 6.32
- IAPMO LC 4
- CRN # 0C10908 ADD11

**compliant with**

- uniform plumbing code (UPC)
- international plumbing code (IPC)
- international fuel gas code (IFGC)
- national plumbing code of canada



**dimensions (in)**

PART NUMBER	SIZE (IN.)	DIMENSIONS (IN.)					WT (LB.)
		A	B	C	D	E	
89FVH4301	½"	0.50	2.08	4.16	1.74	3.85	0.6
89FVH4401	¾"	0.75	2.28	4.55	1.96	3.85	0.9
89FVH4501	1"	1.00	2.72	5.44	2.29	4.76	1.4
89FVH4601	1¼"	1.25	3.41	6.82	3.20	7.76	4.2
89FVH4701	1½"	1.50	3.62	7.24	3.30	7.76	4.8
89FVH4801	2"	2.00	3.93	7.85	3.68	7.76	7.2
89FVH4324	½"	0.50	2.08	4.16	1.74	3.85	0.6
89FVH4424	¾"	0.75	2.28	4.55	1.96	3.85	0.9
89FVH4524	1"	1.00	2.72	5.44	2.29	4.76	1.4
89FVH4624	1¼"	1.25	3.41	6.82	3.20	7.76	4.2
89FVH4724	1½"	1.50	3.62	7.24	3.30	7.76	4.8
89FVH4824	2"	2.00	3.93	7.85	3.68	7.76	7.2