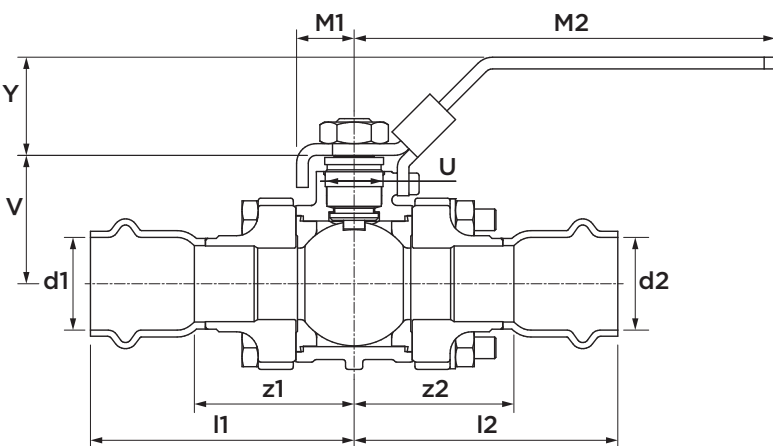
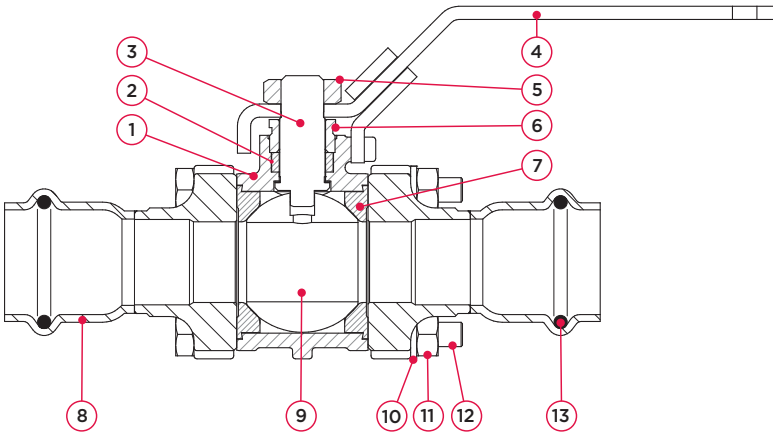


submittal sheet



**86VF 3-piece ball valve FKM**  
(2 x press)



specifications

- stainless steel ASTM A351-CF8M
- 100% full port
- easy to maintain, 3-piece design
- blow-out proof stem design
- max. pressure 500 psi (34.5 bar)
- operating temperature -4°F to 392°F (446°F short term)
- Leak Before Press® technology
- Visu-Control™ foil material and press identifier
- MPFTE stem packing
- ISO 5211 actuator mounting pad
- standardized locking handle (latch-lock lever)
- 5-year limited warranty

no.	component	material
1	body	stainless steel (ASTM A351-CF8M)
2	stem packing	MPTFE
3	stem	stainless steel (ASTM A276-316)
4	handle	stainless steel (AISI 304/1.4301), vinyl coated
5	handle nut	stainless steel (AISI 304/1.4301)
6	packing gland nut	stainless steel (ASTM A276-316)
7	seat	RPTFE
8	press end cap	stainless steel (ASTM A351-CF3M, 316L)
9	ball	stainless steel (ASTM A276-316)
10	lockwasher	stainless steel (AISI 304/1.4301)
11	hex nut	stainless steel (18-8)
12	body bolt	stainless steel (18-8)
13	sealing element	FKM

maximum pressure

operating pressure	test pressure shell	test pressure seat
500 psi (34.5 bar)	750 psi (51.7 bar)	550 psi (37.9 bar)

pressure equipment directive category

all sizes	SEP
-----------	-----

certifications & listings

- IAPMO/ANSI Z1157\*

compliant with

- ASTM A312
- ASTM A554
- ASME B31.1, 31.3, 31.9
- MSS SP-110
- IAPMO/ANSI/CAN Z1117 (press ends)

size	item no.	weight [lb]	Cv [gpm]	l1/l2	z1/z2	M1	M2	V	Y	U
½" (DN10)	123 457 466	1.61	25.4	2.74	1.67	0.67	4.90	1.30	1.17	0.87
¾" (DN20)	123 457 467	2.22	50.9	3.05	2.00	0.67	4.90	1.49	1.17	0.87
1" (DN25)	123 457 468	3.42	68.2	3.42	2.22	0.94	6.15	1.95	1.04	1.31
1½" (DN40)	123 457 469	7.55	169.9	4.28	2.88	1.25	7.53	2.45	1.53	1.37
2" (DN50)	123 457 470	12.97	374.6	4.94	3.31	1.25	7.53	2.79	1.53	1.37

\* IAPMO/ANSI Z1157 applicable to ½"- 1" Apollo® SmartPress 86V 3-piece valve item numbers listed above; for sizes 1½"- 2" requiring IAPMO/ANSI Z1157 approval, please contact Aalberts integrated piping systems technical support team for alternatively approved part numbers (300 psi max. pressure rating, PTFE seat).