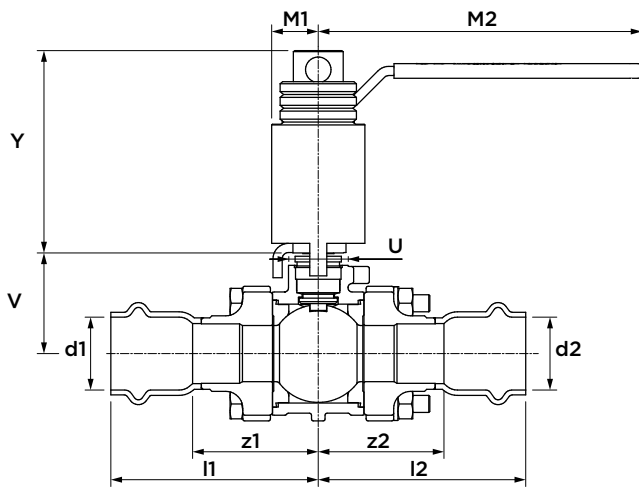
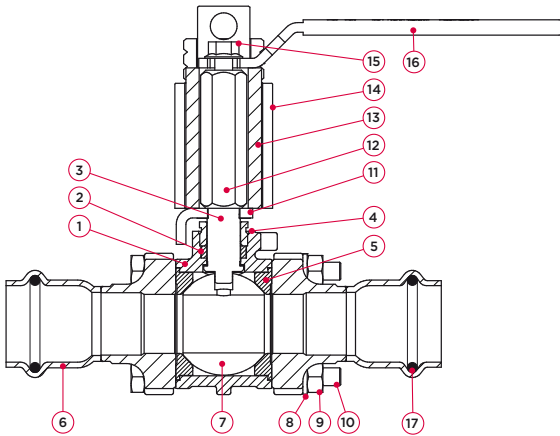


submittal sheet



86VESE 3-piece ball valve - stem extension EPDM

(2 x press)



specifications

- stainless steel ASTM A351-CF8M
- 100% full port
- easy to maintain, 3-piece design
- blow-out proof stem design
- max. pressure 500 psi (34.5 bar)
- operating temperature -31°F to 275°F (302°F short term)
- Leak Before Press® technology
- Visu-Control™ foil material and press identifier
- MPFTE stem packing
- ISO 5211 actuator mounting pad
- 2 ¼" locking stem extension
- standardized locking handle (latch-lock lever)
- 5-year limited warranty

no.	component	material
1	body	stainless steel (ASTM A351-CF8M)
2	stem packing	MPTFE
3	stem	stainless steel (ASTM A276-316)
4	packing gland nut	stainless steel (ASTM A276-316)
5	seat	RPTFE
6	press end cap	stainless steel (ASTM A351-CF3M, 316L)
7	ball	stainless steel (ASTM A276-316)
8	lockwasher	stainless steel (AISI 304/1.4301)
9	hex nut	stainless steel (18-8)
10	body bolt	stainless steel (18-8)
11	handle stop	carbon steel (ASTM A108-1215), zinc plated
12	stem extension	carbon steel (ASTM A108-1215), zinc plated
13	inner sleeve	carbon steel (ASTM A108-1215), zinc plated
14	outer sleeve	carbon steel (ASTM A108-1215), zinc plated
15	lever screw	steel, zinc plated
16	handle	stainless steel (AISI 304/1.4301, vinyl coated)
17	sealing element	EPDM

maximum pressure

operating pressure	test pressure shell	test pressure seat
500 psi (34.5 bar)	750 psi (51.7 bar)	550 psi (37.9 bar)

pressure equipment directive category

all sizes	SEP
-----------	-----

certifications & listings

- IAPMO/ANSI Z1157\*
- NSF/ANSI/CAN 61
- NSF/ANSI/CAN 372

compliant with

- ASTM A312
- ASTM A554
- ASME B31.1, 31.3, 31.9
- Uniform Plumbing Code (UPC®)
- International Plumbing Code (IPC®)
- National Plumbing Code of Canada (NPCC)
- MSS SP-110
- IAPMO/ANSI/CAN Z1117 (press ends)

size	item no.	weight [lb]	Cv [gpm]	l1/l2	z1/z2	M1	M2	V	Y	U
½" (DN10)	123 457 456	2.30	25.4	2.74	1.67	0.69	4.78	1.30	2.97	0.87
¾" (DN20)	123 457 457	2.91	50.9	3.05	2.00	0.69	4.78	1.49	2.97	0.87
1" (DN25)	123 457 458	4.43	68.2	3.42	2.22	0.98	5.60	1.95	3.00	1.31
1½" (DN40)	123 457 459	8.91	169.9	4.28	2.88	1.25	7.75	2.45	3.15	1.37
2" (DN50)	123 457 460	14.38	374.6	4.94	3.31	1.25	7.75	2.79	3.15	1.37

\* IAPMO/ANSI Z1157 applicable to ½"- 1" Apollo® SmartPress 86V 3-piece valve item numbers listed above; for sizes 1½"- 2" requiring IAPMO/ANSI Z1157 approval, please contact Aalberts integrated piping systems technical support team for alternatively approved part numbers (300 psi max. pressure rating, PTFE seat).