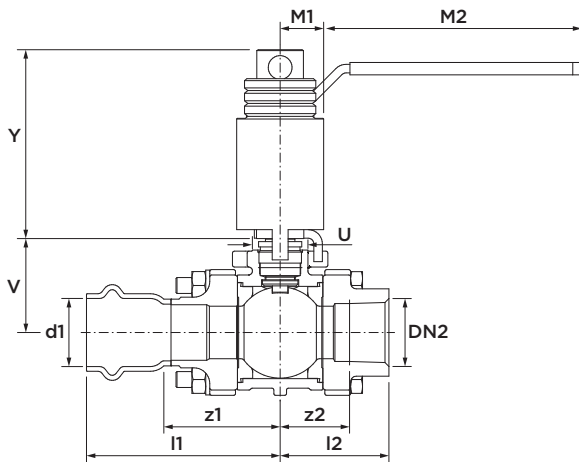
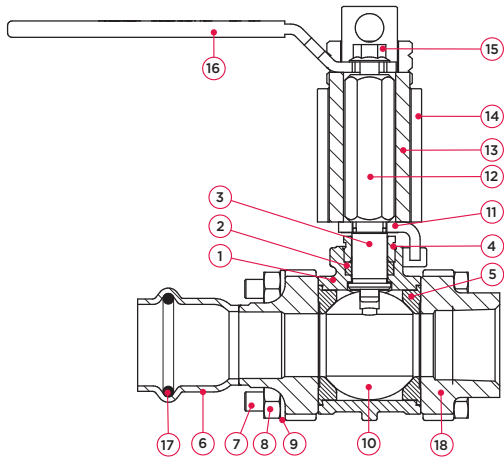


submittal sheet



86VESEFP 3-piece ball valve - stem extension EPDM

(press x FPT)



specifications

- stainless steel ASTM A351-CF8M
- 100% full port
- easy to maintain, 3-piece design
- blow-out proof stem design
- max. pressure 500 psi (34.5 bar)
- operating temperature -31°F to 275°F (302°F short term)
- Leak Before Press® technology
- Visu-Control™ foil material and press identifier
- MPFTE stem packing
- ISO 5211 actuator mounting pad
- 2 ¼" locking stem extension
- standardized locking handle (latch-lock lever)
- 5-year limited warranty

no.	component	material
1	body	stainless steel (ASTM A351-CF8M)
2	stem packing	MPTFE
3	stem	stainless steel (ASTM A276-316)
4	packing gland nut	stainless steel (ASTM A276-316)
5	seat	RPTFE
6	press end cap	stainless steel (ASTM A351-CF3M, 316L)
7	body bolt	stainless steel (18-8)
8	hex nut	stainless steel (18-8)
9	lockwasher	stainless steel (AISI 304/1.4301)
10	ball	stainless steel (ASTM A276-316)
11	handle stop	carbon steel (ASTM A108-1215) zinc plated
12	stem extension	carbon steel (ASTM A108-1215) zinc plated
13	inner sleeve	carbon steel (ASTM A108-1215) zinc plated
14	outer sleeve	carbon steel (ASTM A108-1215) zinc plated
15	lever screw	steel, zinc plated
16	handle	stainless steel (AISI 304/1.4301), vinyl coated
17	sealing element	EPDM
18	FPT end cap	stainless steel (ASTM A351-CF3M)

maximum pressure		
operating pressure	test pressure shell	test pressure seat
500 psi (34.5 bar)	750 psi (51.7 bar)	550 psi (37.9 bar)

pressure equipment directive category	
all sizes	SEP

certifications & listings

- IAPMO/ANSI Z1157*
- NSF/ANSI/CAN 61
- NSF/ANSI/CAN 372

compliant with

- ASTM A312
- ASTM A554
- ASME B31.1, 31.3, 31.9
- Uniform Plumbing Code (UPC*)
- International Plumbing Code (IPC*)
- National Plumbing Code of Canada (NPCC)
- MSS SP-110
- IAPMO/ANSI/CAN Z1117 (press ends)

size	item no.	weight [lb]	Cv [gpm]	l1	l2	z1	z2	M1	M2	V	Y	U
½" x FPT½" (DN10)	123 457 476	2.23	25.4	1.42	2.74	1.67	0.88	0.69	4.78	1.30	2.97	2.23
¾" x FPT¾" (DN20)	123 457 477	2.85	50.9	1.71	3.05	2.00	1.16	0.69	4.78	1.49	2.97	2.85
1" x FPT1" (DN25)	123 457 478	4.28	68.2	1.93	3.42	2.22	1.27	0.88	5.60	1.95	4.95	4.28
1½" x FPT1½" (DN40)	123 457 479	8.76	169.9	2.59	4.28	2.88	1.91	1.00	7.75	2.45	3.15	8.76
2" x FPT2" (DN50)	123 457 480	14.14	374.6	3.02	4.94	2.32	2.32	1.00	7.75	2.79	3.15	14.14

* IAPMO/ANSI Z1157 applicable to ½"- 1" Apollo® SmartPress 86V 3-piece valve item numbers listed above; for sizes 1½"- 2" requiring IAPMO/ANSI Z1157 approval, please contact Aalberts integrated piping systems technical support team for alternatively approved part numbers (300 psi max. pressure rating, PTFE seat).