

submittal sheet



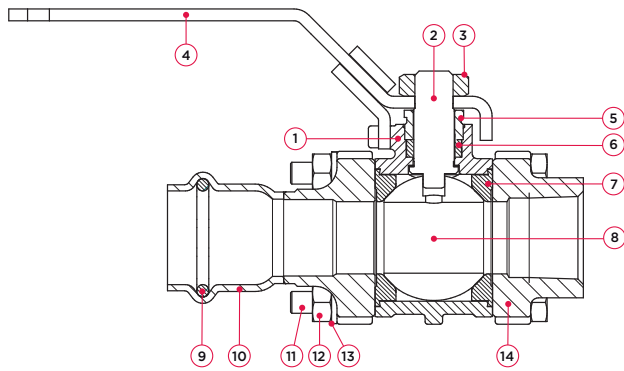
86VEFP 3-piece ball valve EPDM

(press x FPT)



specifications

- stainless steel ASTM A351-CF8M
- 100% full port
- easy to maintain, 3-piece design
- blow-out proof stem design
- max. pressure 500 psi (34.5 bar)
- operating temperature -31°F to 275°F (302°F short term)
- Leak Before Press® technology
- Visu-Control™ foil material and press identifier
- MPFTE stem packing
- ISO 5211 actuator mounting pad
- standardized locking handle (latch-lock lever)
- 5-year limited warranty



no.	component	material
1	body	stainless steel (ASTM A354-CF8M)
2	stem	stainless steel (ASTM A276-316)
3	handle nut	stainless steel (AISI 304/1.4301)
4	handle	stainless steel (AISI 304/1.4301), vinyl coated
5	packing gland nut	stainless steel (ASTM A276-316)
6	stem packing	MPTFE
7	seat	RPTFE
8	ball	stainless steel (ASTM A276-316)
9	sealing element	EPDM
10	press end cap	stainless steel (ASTM A351-CF3M, 316L)
11	body bolt	stainless steel (18-8)
12	hex nut	stainless steel (18-8)
13	lockwasher	stainless steel (AISI 304/1.4301)
14	FPT end cap	stainless steel (ASTM A351-CF3M)

maximum pressure

operating pressure	test pressure shell	test pressure seat
500 psi (34.5 bar)	750 psi (51.7 bar)	550 psi (37.9 bar)

pressure equipment directive category

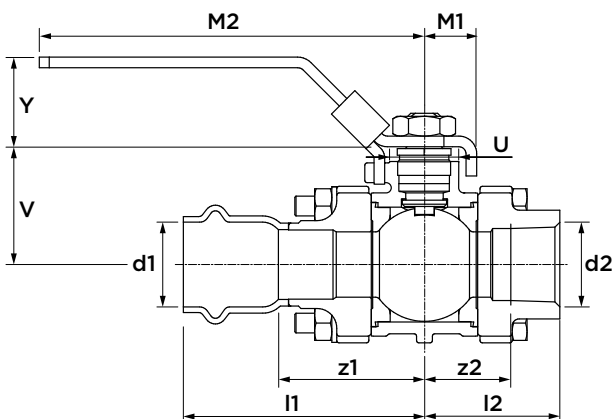
all sizes	SEP
-----------	-----

certifications & listings

- IAPMO/ANSI Z1157*
- NSF/ANSI/CAN 61
- NSF/ANSI/CAN 372

compliant with

- ASTM A312
- ASTM A554
- ASME B31.1, 31.3, 31.9
- Uniform Plumbing Code (UPC*)
- International Plumbing Code (IPC*)
- National Plumbing Code of Canada (NPCC)
- MSS SP-110
- IAPMO/ANSI/CAN Z1117 (press ends)



size	item no.	weight [lb]	Cv [gpm]	l1	l2	z1	z2	M1	M2	V	Y	U
½" x FPT½" (DN10)	123 457 471	1.54	25.4	1.42	2.74	1.67	0.88	0.67	4.90	1.30	1.17	0.87
¾" x FPT¾" (DN20)	123 457 472	2.16	50.9	1.71	3.05	2.00	1.16	0.67	4.90	1.49	1.17	0.87
1" x FPT1" (DN25)	123 457 473	3.27	68.2	1.93	3.42	2.22	1.27	0.94	6.15	1.95	1.04	1.31
1½" x FPT1½" (DN40)	123 457 474	7.39	169.9	2.59	4.28	2.88	1.91	1.25	7.53	2.45	1.53	1.37
2" x FPT2" (DN50)	123 457 475	12.74	374.6	3.02	4.94	3.31	2.32	1.25	7.53	2.79	1.53	1.37

* IAPMO/ANSI Z1157 applicable to ½"- 1" Apollo® SmartPress 86V 3-piece valve item numbers listed above; for sizes 1½"- 2" requiring IAPMO/ANSI Z1157 approval, please contact Aalberts integrated piping systems technical support team for alternatively approved part numbers (300 psi max. pressure rating, PTFE seat).