

# 83B-340

carbon steel 3-piece full port class 600 sch. 5 butt weld ball valve



## standard compliance

- valve design: ASME B16.34 Class 600, NACE MR0175 (2000) & MR0103 (2012), API 608

- end connections: Butt-Weld per ASME B16.25
- valve marking: ASME B16.34
- production testing: ASME B16.34

## features

- 3-piece construction w/ enclosed fasteners
- full port
- stainless steel trim & hardware
- swing-out center section
- pressure balanced solid ball
- compression controlled spiral wound gaskets
- anti-blowout one piece bottom entry stem
- statically grounded ball, stem, & body
- two-position locking
- adjustable multi-piece PTFE "V" style packing
- fully machined ISO 5211 mounting
- cast bosses on the center-section and end caps for bleed & drain ports

- fire safe to API 607 (requires -24 suffix)
- vacuum service to 29 in of Hg.
- CE marking, 1-1/2" and larger (add "-CE" suffix)
- 250 psig saturated steam
- CGA 3.16-M88 (2014)

## variations available

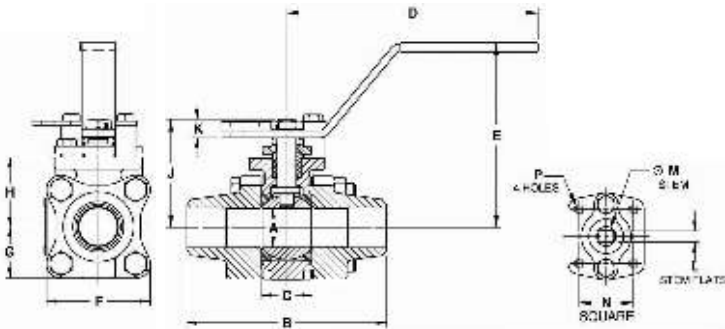
- 83B-440 schedule 10 butt-weld
- 83B-540 schedule 40 butt-weld
- 83B-640 schedule 80 butt-weld

## options available

(more information in section J)

note: all options and materials listed are not available for all valves and sizes listed. pricing may be subjected to minimum requirements and material availability.

- Minimum quantities apply
- To specify an option, replace the "01" standard suffix with the suffix of the option.
- To specify multiple options, replace the "01" suffix with the desired suffixes in the numerical order shown below. NOTE: Not all suffixes can be combined together.



## standard material list

part	material	
1	body	ASTM A216-WCB
2	end caps	ASTM A216-WCB
3	ball	ASTM A276-316SS
4	stem	ASTM A276-316SS ASTM A564 17-4PH (2" with -38 suffix)
5	seat	multi-seal
6	packing	PTFE
7	stem bearing	PEEK/PTFE
8	body gasket	PTFE spiral wound
9	body bolts	ASTM A193-Gr.B8M3
10	body nuts	ASTM A194-Gr.8
11	stop bolts	18-8 stainless steel
12	gland bolts	ASTM A193-Gr.B8
13	handle nut/screw	300 series stainless steel
14	packing gland	ASTM A276-316SS
15	gland plate	300 series stainless steel
16	lever handle	300 series stainless steel
17	lock plate	300 series stainless steel
18	stops	300 series stainless steel
19	internal grounding spring	300 series stainless steel
20	external grounding spring	300 series stainless steel

pressure/temperature ratings - page M-19, graph no. 23

## dimensions

part no.	size	A	B	C	D	E	F	G	H	J	K	L	M	N	P	WT.
83B-343-01	1/2"	0.50	3.80	0.89	5.12	3.02	2.02	1.01	1.39	1.97	0.23	0.245	0.375	1.00	10-24	2.3
83B-344-01	3/4"	0.75	4.66	1.10	5.53	3.40	2.40	1.20	1.65	2.35	0.24	0.312	0.500	1.392	1/4-20	4.0
83B-345-01	1"	1.00	5.19	1.31	6.53	4.80	2.67	1.34	1.80	2.80	0.48	0.287	0.500	1.392	1/4-20	5.7
83B-347-01	1-1/2"	1.50	5.96	1.97	6.65	4.70	3.84	1.92	2.49	3.89	0.72	0.412	0.625	1.949	5/16-18	14.4
83B-348-01	2"	2.00	6.84	2.56	8.40	5.47	4.56	2.46	3.17	4.74	0.80	0.477	0.750	1.949	5/16-18	24.4

REV.03AUG22