

83A-440

carbon steel 3-piece full port 1500 CWP sch. 10 butt weld ball valve



standard compliance

- valve design: MSS SP-110, NACE MR0175 (2000) & MR0103 (2012)
- end connections: butt-weld per ASME B16.25

- valve marking: MSS SP-25
- production testing: MSS SP-110

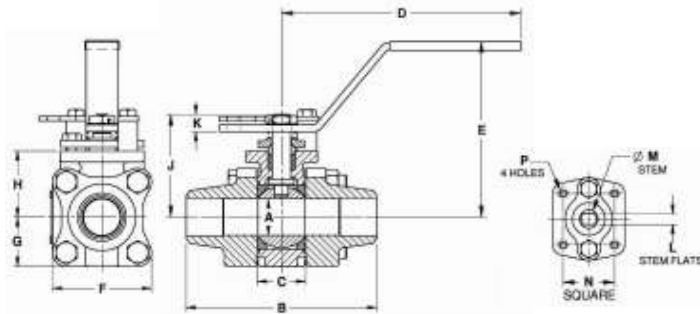
features

- 3-piece construction w/ enclosed fasteners
- full port
- stainless steel trim & hardware
- swing-out center section
- pressure balanced solid ball
- compression controlled RPTFE gaskets
- anti-blowout one piece bottom entry stem
- two-position locking
- adjustable multi-piece PTFE "V" style packing

- fully machined ISO 5211 mounting
- cast bosses on the center-section and end caps for bleed & drain ports
- vacuum service to 29 in of Hg.
- 150 psig saturated steam

variations available

- 83A-340 schedule 5 butt-weld
- 83A-540 schedule 40 butt-weld
- 83A-640 schedule 80 butt-weld



options available

(more information in section J)

note: all options and materials listed are not available for all valves and sizes listed. pricing may be subjected to minimum requirements and material availability.

- minimum quantities apply
- to specify an option, replace the "01" standard suffix with the suffix of the option.
- to specify multiple options, replace the "01" suffix with the desired suffixes in the numerical order shown below. note: not all suffixes can be combined together.

| (suffix) | option | sizes |
|----------|---|------------|
| -01 | standard configuration | All |
| -04- | 2-1/4" stem extension (carbon steel, zinc plated) | All |
| -14- | vented ball | All |
| -15- | stainless steel locking round handle | All |
| -49- | no lubrication. assembled dry | All |
| -60- | static grounding | All |
| -62- | center section only | All |
| -66- | FNPT x butt-weld | All |
| -67- | cleaned for industrial gases | All |
| -69- | drilled & tapped purge & drains | All |
| -70- | 4" extended bonnet | All |
| -76- | live loaded (lever operated) | All |
| -77- | live loaded (actuated) | All |
| -90- | double packed 4" extended bonnet | All |
| -9P- | double packed 4" extended bonnet w/ monitoring port | All |
| -EF- | graphite packing (API 641 compliant) | 3/4" to 2" |
| -KF- | PCTFE stem bearing | All |
| -SR- | spring return handle | 1/2" to 1" |
| -UA- | AIS (american iron & steel) compliant | All |
| -ZP1- | fugitive emissions packing (Viton) | All |
| -ZP2- | fugitive emissions packing (Buna-N) | All |
| -ZP3- | fugitive emissions packing (Kalrez) | All |

standard material list

| | part | material |
|----|------------------|----------------------------|
| 1 | body | ASTM A216-WCB |
| 2 | end caps | ASTM A216-WCB |
| 3 | ball | ASTM A276-316SS |
| 4 | stem | ASTM A276-316SS |
| 5 | seat | multi-seal |
| 6 | packing | PTFE |
| 7 | stem bearing | PEEK/PTFE |
| 8 | body gasket | RPTFE |
| 9 | body bolts | 18-8 stainless steel |
| 10 | body nuts | 18-8 stainless steel |
| 11 | stop bolts | 18-8 stainless steel |
| 12 | gland bolts | 18-8 stainless steel |
| 13 | handle nut/screw | 300 series stainless steel |
| 14 | packing gland | ASTM A276-316SS |
| 15 | gland plate | 300 series stainless steel |
| 16 | lever handle | 300 series stainless steel |
| 17 | lock plate | 300 series stainless steel |
| 18 | stops | 300 series stainless steel |

pressure/temperature ratings - page M-19, graph no. 23

dimensions

| part no. | size | A | B | C | D | E | F | G | H | J | K | L | M | N | P | WT. |
|------------|--------|------|------|------|------|------|------|------|------|------|------|-------|-------|-------|---------|------|
| 83A-443-01 | 1/2" | 0.50 | 3.80 | 0.89 | 5.12 | 3.02 | 2.02 | 1.01 | 1.39 | 1.97 | 0.23 | 0.245 | 0.375 | 1.00 | 10-24 | 2.3 |
| 83A-444-01 | 3/4" | 0.75 | 4.66 | 1.10 | 5.53 | 3.40 | 2.40 | 1.20 | 1.65 | 2.35 | 0.24 | 0.312 | 0.500 | 1.392 | 1/4-20 | 4.0 |
| 83A-445-01 | 1" | 1.00 | 5.19 | 1.31 | 6.53 | 4.80 | 2.67 | 1.34 | 1.80 | 2.80 | 0.48 | 0.287 | 0.500 | 1.392 | 1/4-20 | 5.7 |
| 83A-447-01 | 1-1/2" | 1.50 | 5.96 | 1.97 | 6.65 | 4.70 | 3.84 | 1.92 | 2.49 | 3.89 | 0.72 | 0.412 | 0.625 | 1.949 | 5/16-18 | 14.4 |
| 83A-448-01 | 2" | 2.00 | 6.84 | 2.56 | 8.40 | 5.47 | 4.56 | 2.46 | 3.17 | 4.74 | 0.80 | 0.477 | 0.750 | 1.949 | 5/16-18 | 24.4 |