

83A-140

carbon steel 3-piece full port 1500 CWP NPT ball valve



standard compliance

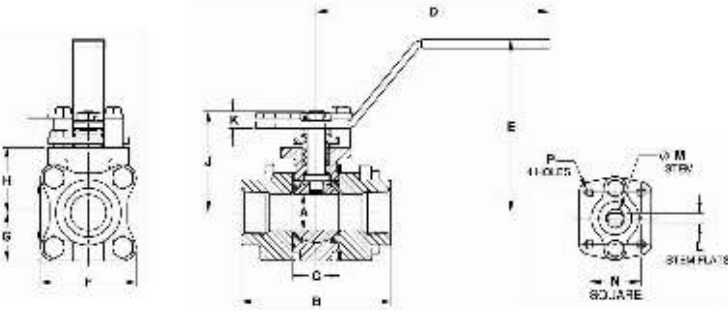
- valve design: MSS SP-110, NACE MR0175 (2000) & MR0103 (2012)
- end connections: NPT per ASME B1.20.1

- valve marking: MSS SP-25
- production testing: MSS SP-110

features

- 3-piece construction w/ enclosed fasteners
- full port
- stainless steel trim & hardware
- swing-out center section
- pressure balanced solid ball
- compression controlled RPTFE gaskets

- anti-blowout one piece bottom entry stem
- two-position locking
- adjustable multi-piece PTFE “V” style packing
- fully machined ISO 5211 mounting
- cast bosses on the center-section and end caps for bleed & drain ports
- vacuum service to 29 in of Hg.
- 150 psig saturated steam



options available

(more information in section J)

note: all options and materials listed are not available for all valves and sizes listed. pricing may be subjected to minimum requirements and material availability.

- minimum quantities apply
- to specify an option, replace the “01” standard suffix with the suffix of the option.
- to specify multiple options, replace the “01” suffix with the desired suffixes in the numerical order shown below. note: not all suffixes can be combined together.

(SUFFIX)	OPTION	SIZES
-01	standard configuration	All
-P-01-	BSPP (parallel) thread connection	All
-T-01-	BSPT (tapered) thread connection	All
-04-	2-1/4" stem extension (carbon steel, zinc plated)	All
-14-	vented ball	All
-15-	stainless steel locking round handle	All
-49-	no lubrication. assembled dry	All
-60-	static grounding	All
-62-	center section only	All
-63-	NPT x socketweld	All
-67-	cleaned for industrial gases	All
-69-	drilled & tapped purge & drains	All
-70-	4" extended bonnet	All
-76-	live loaded (lever operated)	All
-77-	live loaded (actuated)	All
-90-	double packed 4" extended bonnet	All
-9P-	double packed 4" extended bonnet w/ monitoring port	All
-EF-	graphite packing (API 641 compliant)	3/4" to 2"
-KF-	PCTFE stem bearing	All
-SR-	spring return handle	1/4" to 1"
-UA-	AIS (american iron & steel) compliant	All
-ZP1-	fugitive emissions packing (Viton)	All
-ZP2-	fugitive emissions packing (Buna-N)	All
-ZP3-	fugitive emissions packing (Kalrez)	All

standard material list

part	material
1 body	ASTM A216-WCB
2 end caps	ASTM A216-WCB
3 ball	ASTM A276-316SS
4 stem	ASTM A276-316SS
5 seat	multi-seal
6 packing	PTFE
7 stem bearing	PEEK/PTFE
8 body gasket	RPTFE
9 body bolts	18-8 stainless steel
10 body nuts	18-8 stainless steel
11 stop bolts	18-8 stainless steel
12 gland bolts	18-8 stainless steel
13 handle nut/screw	300 series stainless steel
14 packing gland	ASTM A276-316SS
15 gland plate	300 series stainless steel
16 lever handle	300 series stainless steel
17 lock plate	300 series stainless steel
18 stops	300 series stainless steel

pressure/temperature ratings - page M-19, graph no. 23

dimensions

part no.	size	A	B	C	D	E	F	G	H	J	K	L	M	N	P	WT.
83A-141-01	1/4"	0.37	2.80	0.89	5.12	3.02	2.02	1.01	1.39	1.97	0.23	0.245	0.375	1.00	10-24	2.3
83A-142-01	3/8"	0.50	2.80	0.89	5.12	3.02	2.02	1.01	1.39	1.97	0.23	0.245	0.375	1.00	10-24	2.3
83A-143-01	1/2"	0.50	2.80	0.89	5.12	3.02	2.02	1.01	1.39	1.97	0.23	0.245	0.375	1.00	10-24	2.3
83A-144-01	3/4"	0.75	3.68	1.10	5.53	3.40	2.40	1.20	1.65	2.35	0.24	0.312	0.500	1.392	1/4-20	4.0
83A-145-01	1"	1.00	4.19	1.31	6.53	4.80	2.67	1.34	1.80	2.80	0.48	0.287	0.500	1.392	1/4-20	5.7
83A-146-01	1-1/4"	1.50	4.50	1.97	6.65	4.70	3.84	1.92	2.49	3.89	0.72	0.412	0.625	1.949	5/16-18	14.2
83A-147-01	1-1/2"	1.50	4.98	1.97	6.65	4.70	3.84	1.92	2.49	3.89	0.72	0.412	0.625	1.949	5/16-18	14.4
83A-148-01	2"	2.00	5.86	2.56	8.40	5.47	4.56	2.46	3.17	4.74	0.80	0.477	0.750	1.949	5/16-18	24.4

REV.04AUG22