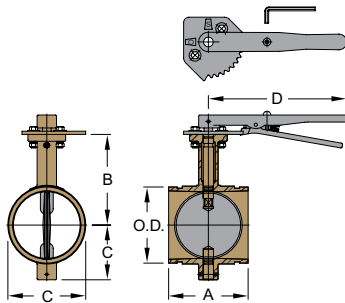




Job Name:	
Job Location:	
Engineer:	
Contractor:	
Tag:	
PO#:	
Rep:	
Wholesale Dist.:	



The Model SJ-C300 is a lever handle bronze body butterfly valve designed for use with grooved copper tubing (CTS), fittings and couplings. This valve features a 10 position locking lever handle and lead-free bronze body and EPDM rubber encapsulated dual-seal disc. The lead-free bronze body conforms to ASTM B-584 copper alloy C89836 Bismuth bronze. The EPDM rubber disc is classified in accordance with NSF/ANSI 61 and NSF/ANSI 372 for use in cold +86oF (+30oC) and hot +180oF (+82oC) potable water system. Also available with factory installed gear operator on request.

DIMENSIONS

NOMINAL SIZE	PIPE O.D.	MAX. WORKING PRESSURE (CWP)*	DIMENSIONS				WEIGHT
			A	B	C	D	
in	in	PSI	in	in	in	in	lb
mm	mm	Bar	mm	mm	mm	mm	kg
2	2.125	300	3.19	5.31	2.45	10.0	5.9
50	54	20	81	135	57	254	2.7
2-1/2	2.625	300	3.78	5.87	2.87	10.0	7.3
65	66.7	20	96	149	73	254	3.3
3	3.125	300	3.78	6.42	3.27	10.0	7.7
80	79.4	20	96	163	83	254	3.5
4	4.125	300	4.65	8.19	4.29	10.0	11.0
100	104.8	20	118	208	109	254	5.0
5	5.125	300	5.28	9.80	5.36	10.0	16.9
125	130.2	20	134	249	136	254	7.7
6	6.125	300	5.28	10.79	6.42	10.0	16.9
150	155.6	20	134	274	163	254	7.7

*Working pressure is for connection with roll-grooved Type K copper tubing.

** Please note that 2", 2-1/2", and 3" Model C341 Flanges cannot be used for making direct connections to Model SJ-C300 Butterfly Valves due to bolt pad interference with the valve.

FLOW DATA

Values for flow of water at +60°F (+16°C).

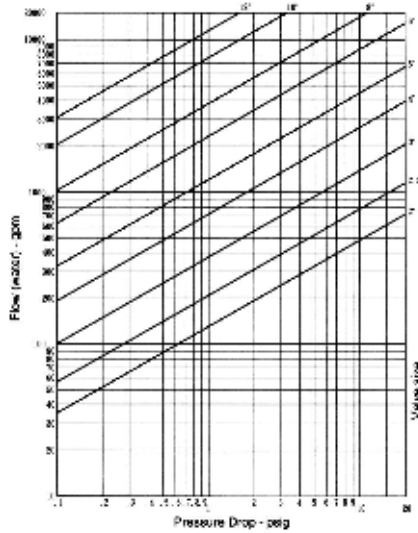
$$Cv = \frac{Q}{\sqrt{\Delta P}}$$

Where:

Cv = Flow coefficient

Q = Flow (GPM)

ΔP = Pressure drop (psi)



VALVE TORQUE DATA

NOMINAL SIZE	TORQUE
in	In-lb
mm	Nm
2	6
50	8.0
2-1/2	9
65	12.5
3	13
80	18.0
4	32
100	43.0
5	46
125	62.0
6	53
150	72.0

Breakaway Torque: 2 -2.5 times.

MATERIAL SPECIFICATIONS

VALVE BODY:

- Bronze casting ASTM B584 UNS C89836

DISC:

- Ductile iron to ASTM A536 Gr. 65-45-12 and or ASTM A395, Gr. 65-45-15 encapsulated with EPDM

DISC ENCAPSULATION:

Grade E-pw EPDM (Color code: Double Green stripe)

- Certified under NSF/ANSI 61 and NSF/ANSI 372 for potable water service to +180°F (+82°C). Also good for services for water with acid, water with chlorine, deionized water, seawater and waste water, dilute acids, oil-free air and many chemicals.
- Not recommended for petroleum oils, minerals oils, solvents and aromatic hydrocarbons.**

UPPER & LOWER SHAFTS:

- Stainless steel Type 410 of ASTM A182

GENERAL NOTES

- Maximum Working Pressure (CWP) listed is the maximum cold water pressure for general piping services tested to ASTM F1476 and or AWWA C606 methods. Figures listed are based on roll- or cut-grooved standard wall carbon steel pipe. For other pipe schedules or pipe materials, contact Shurjoint for additional information.
- Max. End Load is calculated based on the maximum working pressure (CWP).
- Field Joint Test: For one time only the system may be tested hydrostatically at 1.5 times the maximum working pressure listed (AWWA C606 5.2.3).
- Warning: Piping systems must always be depressurized and drained before attempting disassembly and or removal of any components.
- The 10 Year Limited Warranty applies to manufacturing defects only and does not cover severe service/temperature applications or wear parts.
- Shurjoint reserves the right to change specifications, designs and or standard without notice and without incurring any obligations.

MATERIAL SPECIFICATIONS

VALVE BODY:

- Bronze casting ASTM B584 UNS C89836

DISC:

- Ductile iron to ASTM A536 Gr. 65-45-12 and or ASTM A395, Gr. 65-45-15 encapsulated with EPDM

UPPER & LOWER SHAFTS:

- Stainless steel Type 410 of ASTM A182

DISC ENCAPSULATION:

Grade E-pw EPDM (Color code: Double Green stripe)

- Certified under NSF/ANSI 61 and NSF/ANSI 372 for potable water service to +180°F (+82°C). Also good for services for water with acid, water with chlorine, deionized water, seawater and waste water, dilute acids, oil-free air and many chemicals.
- **Not recommended for petroleum oils, mineral oils, solvents and aromatic hydrocarbons.**

GENERAL NOTES

- Maximum Working Pressure (CWP) listed is the maximum cold water pressure for general piping services tested to ASTM F1476 and or AWWA C606 methods. Figures listed are based on roll- or cut-grooved standard wall carbon steel pipe. For other pipe schedules or pipe materials, contact Shurjoint for additional information.
- Max. End Load is calculated based on the maximum working pressure (CWP).
- Field Joint Test: For one time only the system may be tested hydrostatically at 1.5 times the maximum working pressure listed (AWWA C606 5.2.3).
- Warning: Piping systems must always be depressurized and drained before attempting disassembly and or removal of any components.
- The 10 Year Limited Warranty applies to manufacturing defects only and does not cover severe service/temperature applications or wear parts.
- Shurjoint reserves the right to change specifications, designs and or standard without notice and without incurring any obligations.