

# 620F

Class 250, Non Rising Stem, Gate Valve

## SUBMITTAL SHEET

# "Apollo" Valves



Job Name:	
Job Location:	
Engineer:	
Contractor:	
Tag:	
PO#:	
Rep:	
Wholesale Dist.:	

### DESCRIPTION

The Apollo International™ Model 620F Flanged Cast Iron Gate Valve provides full flow capabilities. The Model 620F Gate Valve can be reliably installed in plumbing and heating systems (or building service piping).

### FEATURES

- Compatible with ANSI 250# & 300# Flanges
- Full Port
- Bronze Mounted Seat Rings/Trim
- Solid Wedge
- Adjustable Graphite Stem Packing
- Non-Rising Stem
- Flanged Connection
- Bolted Bonnet
- Rugged Iron Hand Wheel
- Back Seat Protection

### PERFORMANCE RATING

- Saturated Steam: 250 psi (17.2 bar) at 406°F (207°C)
- Cold Working Pressure: 500 psi (34.5 bar) at 100°F
- Temperature Range: -20°F to 406°F

### APPROVALS

- MSS SP-70 - Gray Iron Gate Valves Flanged and Threaded - Type I
- ASME B16.10 - Face-to-Face and End-to-End Dimensions of Valves

### STANDARD MATERIALS LIST

1	<b>BODY</b>	Cast Iron (ASTM A 126 CL B)
2	<b>SEAT RINGS</b>	Cast Bronze (ASTM B62)
3	<b>WEDGE FACE RINGS</b>	Cast Bronze (ASTM B62)
4	<b>WEDGE</b>	Cast Bronze (ASTM B62)
5	<b>WEDGE NUT</b>	Cast Bronze (ASTM B62)
6	<b>STEM</b>	Brass (ASTM B16)
7	<b>BODY GASKET</b>	Graphite (Asbestos Free)
8	<b>BOLTS</b>	Carbon Steel (ASTM A307 B)
9	<b>NUTS</b>	Carbon Steel (ASTM A307 B)
10	<b>BONNET</b>	Cast Iron (ASTM A 126 CL B)
11	<b>GLAND FOLLOWER BOLTS</b>	Carbon Steel (ASTM A307 B)
12	<b>STUFFING BOX GASKETS</b>	Graphite (Asbestos Free)
13	<b>STUFFING BOX</b>	Cast Iron (ASTM A 126 CL B)
14	<b>PACKING</b>	Graphite (Asbestos Free)
15	<b>GLAND FOLLOWER</b>	Ductile Iron (ASTM A536 65-45-12)
16	<b>PACKING GLAND</b>	Cast Bronze (ASTM B584)
17	<b>HANDWHEEL</b>	Cast Iron (ASTM A 126 CL B)
18	<b>NAMEPLATE</b>	Aluminum
19	<b>WASHER</b>	Carbon Steel (ASTM A307 B)
20	<b>HANDWHEEL NUT</b>	Ductile Iron (ASTM A536 65-45-12)

### PART NUMBER MATRIX

Size (in.)	Part Number
2"	<b>6GA208B1</b>
2-1/2"	<b>6GA209B1</b>
3"	<b>6GA200B1</b>
4"	<b>6GA20AB1</b>
6"	<b>6GA20CB1</b>
8"	<b>6GA20EB1</b>
10"	<b>6GA20GB1</b>
12"	<b>6GA20HB1</b>

\* The lead free version of this valve is a running change. Contact customer support for availability.

Customer Service (704) 841-6000  
www.apollovalves.com

This specification is provided for reference only. Conbraco Industries Inc. reserves the right to change any portion of this specification without notice and without incurring obligation to make such changes to Conbraco products previously or subsequently sold. Please visit [apollovalves.com](http://apollovalves.com) for the most current information.

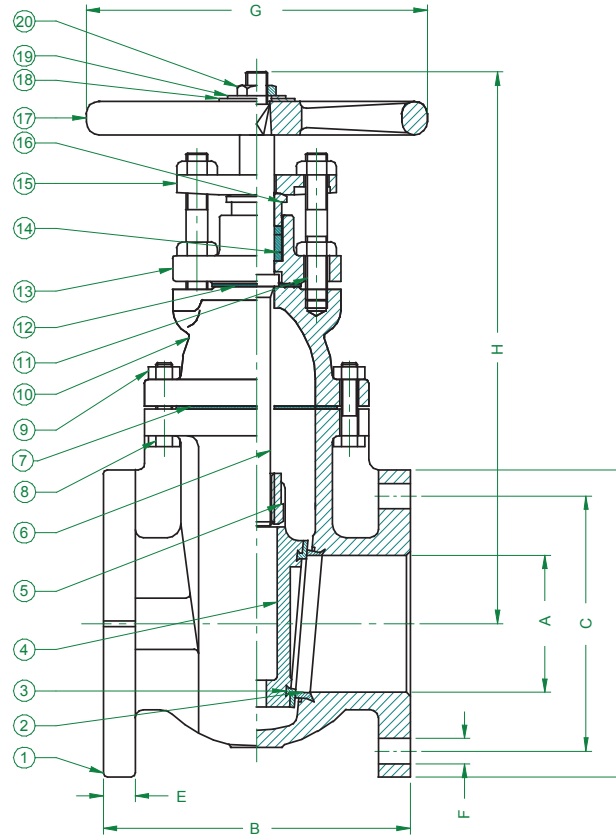


# 620F

Class 250, Non Rising Stem, Gate Valve

## SUBMITTAL SHEET

# "Apollo" Valves



Size (in.)	Dimensions (in.)								Wt. (lbs.)	Cv (Typ)
	A	B	C	D	E	F	G	H (Open)		
2"	2.00	8.50	5.00	6.50	0.88	0.75	7	11.28	42	328
2.5"	2.50	9.50	5.88	7.50	1.00	0.88	7	12.72	55	482
3"	3.00	11.12	6.62	8.25	1.12	0.88	8	13.31	66	744
4"	4.00	12.00	7.88	10.00	1.25	0.88	10	16.18	115	1316
6"	6.00	15.88	10.62	12.50	1.44	0.88	12	22.00	205	3176
8"	8.00	16.50	13.00	15.00	1.62	1.00	14	25.59	278	5692
10"	10.00	18.00	15.25	17.50	1.88	1.12	16	30.31	456	8972
12"	12.00	19.75	17.75	20.50	2.00	1.25	18	33.90	633	13352

$C_v = \text{GPM} @ 1 \text{ psi pressure drop, } 60^\circ\text{F water}$

\*Cv values are estimates only