



Job Name:	
Job Location:	
Engineer:	
Contractor:	
Tag:	
PO#:	
Rep:	
Wholesale Dist.:	

### DESCRIPTION

The Apollo® Model RPDA24A or RPDA2LF4A Lead Free\* 1-1/2"– 2" Reduced Pressure Detector Assembly consists of a mainline reduced pressure principle backflow preventer (RP) with a Type 2 bypass consisting of a single check (SCV) and meter bypassing the mainline second check to prevent backflow while accurately measuring all flows up to 2 gpm while the mainline 2nd check remains closed. The pressure drop across the assembly shall be documented by independent approval agencies. The assembly shall prevent contamination of the potable water supply due to back-siphonage or backpressure from substances that are health and non-health hazards. This Made in America assembly features Apollo® UL® Listed, slow-close, full open port, gear operated ball valves with integral tamper switches and carries the five-year Apollo® factory warranty.

### FEATURES

- Low Pressure Loss Documented By Independent Approval Agencies
- Easily Removable Modular Check Valve Cartridges
- Captured Stainless Steel Springs
- Apollo® UL® Listed, Slow-Close, Full Open Port, Gear Operated Ball Valves with Integral Tamper Switches
- Top-Mounted Test Cocks for Easy Testing
- No Special Tools Required
- Chloramine-Resistant Elastomers
- Designed, Cast, Machined, Assembled and tested in the USA
- Short Lay-Length for Small Spaces
- Pre-Wired Tamper (Supervisory) Switches

### PERFORMANCE RATING

- Maximum Working Pressure: 175 psi
- Temperature Range: 33°F – 140°F
- Hydrostatic Test Pressure: 350 psi

### APPROVALS

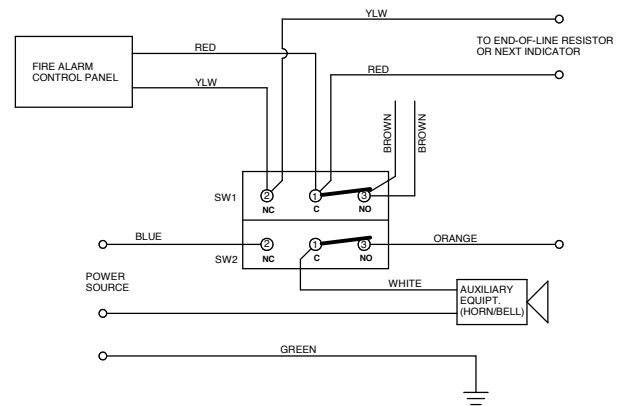
- ASSE 1047 (1-1/2" & 2")
- UL® Classified (1-1/2" & 2")
- C-UL® Classified (1-1/2" & 2")
- Approved by the Foundation for Cross-Connection Control and Hydraulic Research at the University of Southern California.

### STANDARD MATERIALS LIST

<b>BODY, CAPS, BALL VALVE SHUTOFFS, TEST COCKS</b>	Bronze C84400 or C89836 or C87800 (Lead Free*)
<b>CHECK VALVE CARTRIDGES</b>	Glass-Filled PPO
<b>SPRINGS</b>	300 Series Stainless Steel
<b>SEAT DISCS</b>	Chloramine-resistant Silicone
<b>O-RINGS</b>	Chloramine-resistant EPDM

### PART NUMBER MATRIX

4A [LF]	7 X	X	X 2ST
	BYPASS SIDE	SIZE	METER OPTION
4A - STANDARD	2 - BYPASS LINE ON RIGHT SIDE (STANDARD - AS SHOWN)	7 - 1-1/2"	C - FT3/MIN
4ALF - LEAD FREE	4 - BYPASS LINE ON LEFT SIDE	8 - 2"	E - GPM G - NO METER



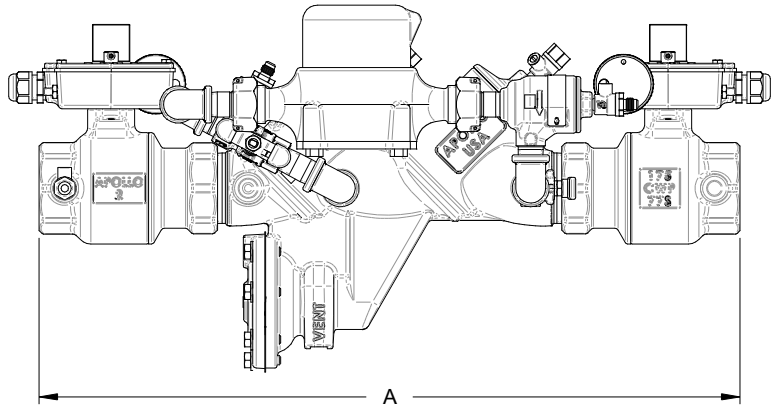
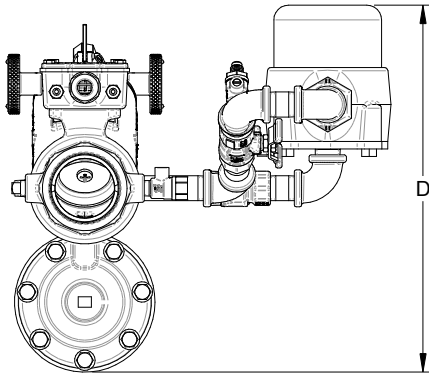
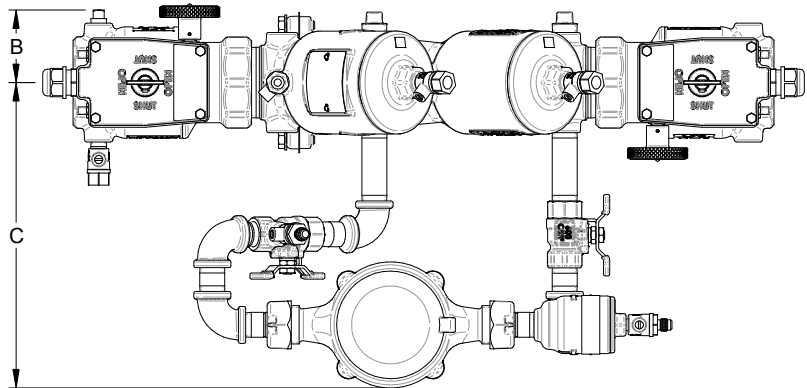
NOTES:  
 1) WHEN THE VALVE IS FULLY OPEN, THE INDICATOR LIGHT AND ALARM WILL GO OUT.  
 2) WIRING SCHEMATIC INDICATED WHEN VALVE IS FULLY OPEN.  
 3) CIRCUIT WIRING AND GROUND ARE 20 AWG

\*LEAD FREE: The wetted surfaces of this product shall contain no more than 0.25% lead by weighted average. Complies with Federal Public Law 111-380. ANSI 3rd party approved and listed.

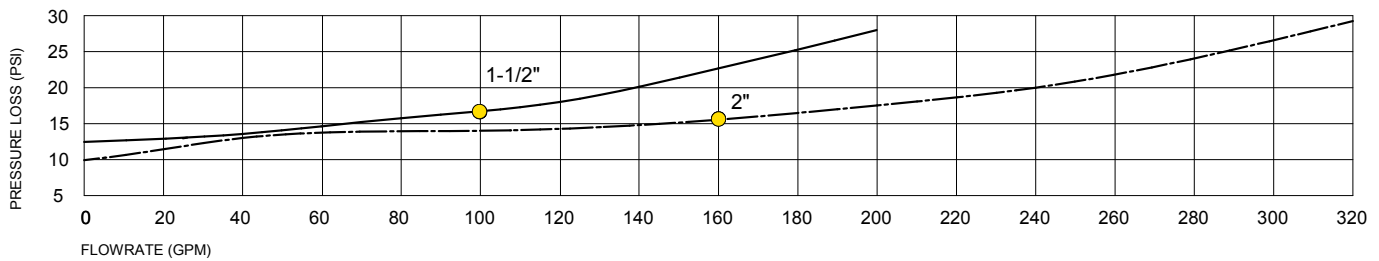
## RPDA24A & RPDA2LF4A

Reduced Pressure Detector Assembly with Slow-Close Ball Valves

SIZE (IN.)	DIMENSIONS (IN.)					WT. (LBS.)
	A	B	C	D	E	
1-1/2"	22-1/4	2-5/8	9-3/4	10-1/2		39.4
2"	23-3/4	2-5/8	10	12-3/8		51.4



### FLOW CURVES



● Meter Rated Flow