

# RP4A series

reduced pressure backflow preventer with press connections



"Apollo" Press



job name:	
job location:	
engineer:	
contractor:	
tag:	
PO#:	
rep:	
wholesale dist.:	

## description

The APOLLOPRESS® Model RP4A series Reduced Pressure Backflow Preventer with Press end connections provide maximum protection against back-siphonage or backpressure from substances that are hazardous to the potable water supply. The top accessed modular check valve cartridges provide captured springs, replaceable seats and reversible silicone seat discs. This Made in America / 5 year factory warranty assembly features APOLLOPRESS® ball valves with stainless steel handles and trim as standard and Leak Before Press® technology.

## features

- fast, reliable, economical press installation
- Ridgid® XL Press Tool compatible
- Leak Before Press® Technology
- low pressure loss
- easily removable modular check valve cartridge
- captured stainless steel check springs
- APOLLOPRESS® ball valves w/ SS handles & nuts standard
- top-mounted test cocks for easy testing
- modular relief valve
- no special tools required for servicing
- made in U.S.A., ARRA compliant

## performance rating

- maximum working pressure: 175 psi
- temperature range: 33° F - 180° F

## approvals

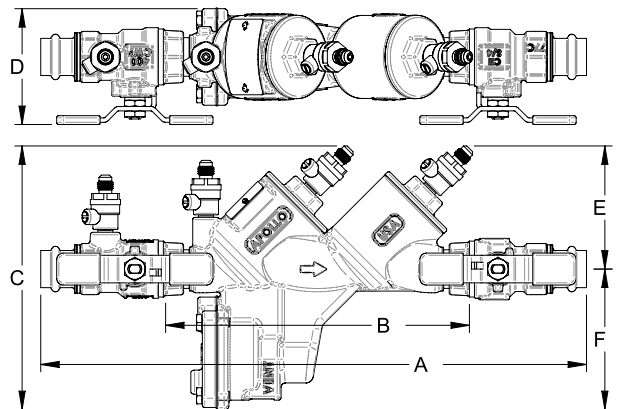
- ASSE 1013 - horizontal (1/2"-2")
- CSA B.64.4 - horizontal (1/2"-2")
- backflow assembly is approved by the Foundation for Cross-Connection Control and Hydraulic Research at the University of Southern California. Press connections are optional factory installed connectors on each end of the approved assembly. - horizontal (1/2"-2")

## standard materials list

<b>body, caps, ball valve shutoffs, test cocks</b>	cast bronze C84400 or C89836
<b>check valve cartridges</b>	glass-filled PPO
<b>springs</b>	300 series stainless steel
<b>seat discs</b>	chloramine-resistant silicone
<b>o-rings</b>	chloramine-resistant EPDM

## dimensions

model number	size (in.)	dimensions (in.)						wt. (lb.)
		A	B	C	D	E	F	
4A203-T2FPR	1/2	13	7-3/8	7-1/8	2-7/8	3-1/4	3-7/8	7.4
4A204-T2FPR	3/4	14-7/8	8-1/2	7-3/8	3-1/8	3-1/2	3-7/8	9.0
4A205-T2FPR	1	16-7/8	9-1/2	8	3-1/4	4	4	13.0
4A206-T2PR	1-1/4	21-1/8	11-3/4	9-7/8	5-1/8	4-1/2	5-3/8	19.1
4A207-T2PR	1-1/2	22	11-5/8	9-7/8	5-1/8	4-1/2	5-3/8	22.5
4A208-T2PR	2	24-3/4	12-3/4	11	5-7/8	5	6	34.6





# RP4A Series

reduced pressure backflow preventer with press connections

## part number matrix

4A [XX]	2 0	X	T2F	PR
	y-strainer	size	options (can be combined)	connection
4A - non-lead free	0 - none (standard)	3 - 1/2"	blank - NPT testcock (1-1/4" - 2")	PR - APOLLOPRESS®
4ALF - lead free		4 - 3/4"	F - SAE test cocks (standard) (1/2" - 1")	
		5 - 1"		
		6 - 1-1/4"	air gap devices	
		7 - 1-1/2"	AGD4A1 - (1/2" - 1")	
		8 - 2"	AGD4A112 - (1-1/4" & 1-1/2")	
			AGD4A2 - (2")	

## flow curves

### meter rated flow

Indicates rated flow as determined by approval agencies, 7.5 ft/sec is the typical maximum plumbing system flow rate. Curves developed from independent approval agencies actual tests - consult factory for details.

