

LD141 series

resilient seated butterfly valve | large diameter
30" to 48"



job name:	
job location:	
engineer:	
contractor:	
tag:	
po#:	
rep:	
wholesale dist.:	

description

The large diameter apollo international™ LD141 series ductile iron butterfly valves are ideal for use in industrial and commercial/HVAC/mechanical applications. the LD141 Series is lug style butterfly valve. available in sizes 30" - 48".

features

- compatible with ANSI 125# & 150# flanges
- ISO 5211 top plate allows choice of Apollo® pneumatic actuators and gear operators
- conforms to MSS SP-67 & API 609

performance rating

- pressure rating: 30" to 48": 150 psi

option

- -sf: silicone free (available)

material options

body

- ductile iron ASTM A536, (65-45-12)

disc material

- ductile iron A536 nickel plated
- 316 stainless steel, CF8M

seat material

- EPDM*: -20°F to +225°F
250° F intermittent
 - BUNA-N: +10°F to +180°F
- *peroxide Cured EPDM

operator

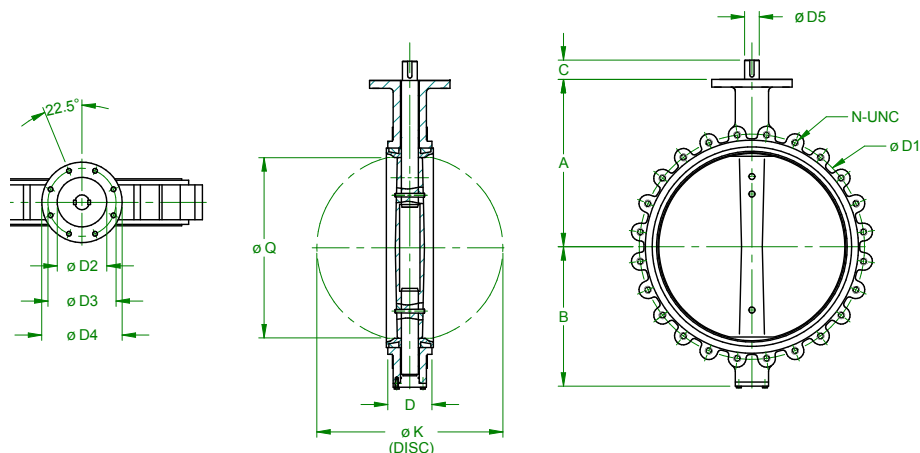
- (-0) - none
- (-2) - gear operator (12" handwheel)
- (-5) - gear operator w/ chain wheel
- (-7) - locking gear operator
- (-8) - locking gear operator w/ chain wheel

standard materials list

body	ductile Iron ASTM A536
bushings	bronze
steam seal	buna-N
shaft	416 SS
seat	peroxide cured EPDM buna-N (Nitrile)
disc	ductile Iron / A536 Nickel Plated 316 stainless steel / CF8M

dimensions

SIZE (IN.)	DIN	DIMENSIONS (IN.)													WEIGHT (LB.)
		A	B	C	D	ØD1	ØD2	ØD3	ØD4	ØD5	K (DISC DIA.)	ØM (DISC CHORD)	N-UNC	N-ØD	
30	750	26.18	21.85	2.60	6.61	36.00	7.87	10.00	11.81	2.49	29.29	28.53	24 - 1-1/4-7	8 - 0.709	728
36	900	28.50	25.87	4.65	7.99	42.75	7.87	10.00	11.81	2.95	34.03	33.08	28 - 1-1/2-6	8 - 0.709	1162
42	1050	33.78	29.84	5.91	9.92	49.50	7.87	10.00	11.81	3.75	40.53	39.3	32 - 1-1/2-6	8 - 0.709	2138
48	1200	37.13	32.48	5.91	10.87	56.00	9.06	11.73	13.78	4.13	45.67	44.35	40 - 1-1/2-6	8 - 0.866	2686





submittal
sheet

LD141 Series

Resilient Seated Butterfly Valve | Large Diameter

part number matrix (30" - 48")

WD	141	06	B	E	1	2
MODEL	SERIES	SIZE (IN.)	DISC MATERIAL	SEAT MATERIAL	SHAFT	OPERATOR
LD - LUG BODY	141 - APOLLO INTERNATIONAL™ (DUCTILE IRON)		D - DUCTILE IRON A536 NICKEL PLATED	E - BLACK EPDM -20° F TO 250° F -29° C TO 121° C	1 - 416 SS (STANDARD)	0 - BARE SHAFT
		30"			2 - 316 SS	2 - GEAR OPERATOR - DIRECT MOUNT
		36"	S - STAINLESS STEEL, CF8M (STANDARD)			5 - GEAR OPERATOR W/ CHAINWHEEL
		42"		N - BLACK BUNA-N 10° F TO 180° F -12° C TO 82° C		7 - LOCKING GEAR OPERATOR
		48"				8 - LOCKING GEAR OPERATOR W/CHAINWHEEL