



Job Name:	
Job Location:	
Engineer:	
Contractor:	
Tag:	
PO#:	
Rep:	
Wholesale Dist.:	

DESCRIPTION

Apollo® Air Gap Drains (AGD4Ax) are designed to funnel minor discharges from a Reduced Pressure Backflow Preventer's relief valve due to line pressure fluctuations and/or minor check valve fouling into the drainage system. Drainage piping is easily attached to the threaded portion of the AGD. The female NPT size is listed in the table under "Outlet Connection". Drainage piping may be attached with a coupling and the appropriate cement or with a flexible pipe coupling. Piping compatible with the outlet is listed in the table under "Outlet Pipe Size".

Air Gap Drains are NOT designed to collect the full discharge capacity of the relief valve. Please refer to page 3 for relief valve full discharge rates.

4A (1/2" - 2")

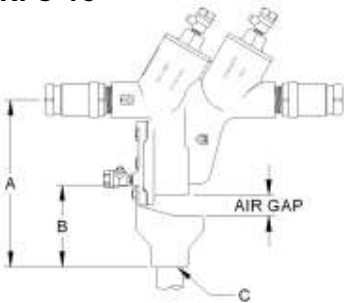


STANDARD MATERIALS LIST

AGD4A1	ABS
AGD4A12	ABS
AGD4A2	ABS
AGD4A6	ABS and PVC
AGD4A8	ABS
AGD4A12IN	Epoxy Coated Steel
FASTENERS	Stainless Steel

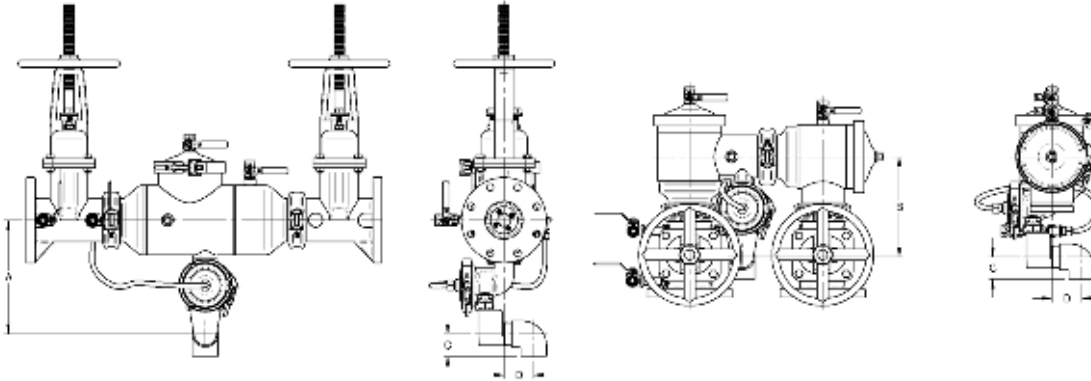
RP SIZE	AIR GAP PART NUMBER	DIMENSIONS (IN.)				OUTLET CONNECTION (FNPT)	WT. (LB.)
		A	B	C	D		
1/2"	AGD4A1	6-1/2	3-3/8	1" FNPT	2-5/8	1-1/4"	0.1
3/4"	AGD4A1	6-1/2	3-3/8	1" FNPT	2-5/8	1-1/4"	0.1
1"	AGD4A1	6-5/8	3-3/8	1" FNPT	2-5/8	1-1/4"	0.1
1-1/4" & 1-1/2"	AGD4A12	8-1/2	4-1/8	1-1/2" FNPT	3-1/2	2"	0.2
2"	AGD4A2	10	5-3/8	2" FNPT	4-1/4	2-1/2"	0.35

RPS 40



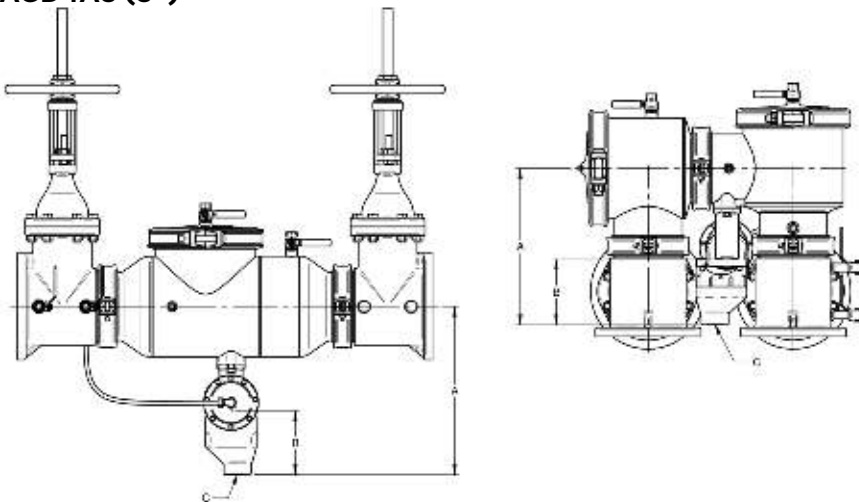
RPS SIZE	AIR GAP PART NUMBER	DIMENSIONS (IN.)				OUTLET CONNECTION (FNPT)	WT. (LB.)
		A	B	C	D		
3/8" & 1/2"	AGD4012	6-1/2	3-3/8	1" FNPT	2-5/8	1-1/4"	0.1
3/4" & 1"	AGD401	8-1/4	4-1/8	1-1/2" FNPT	3-1/2	2"	0.2

AGD4A6 (2-1/2" - 6")



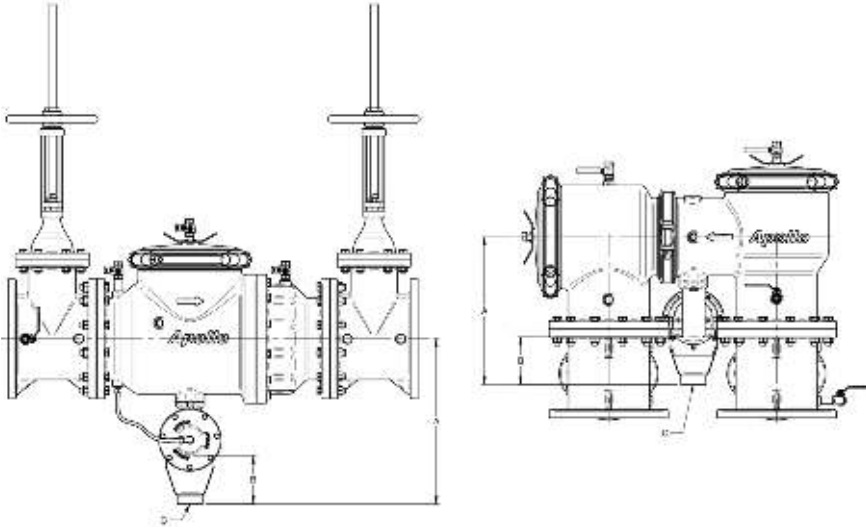
RP SIZE	AIR GAP PART NUMBER	DIMENSIONS (IN.)				OUTLET CONNECTION (FNPT)	WT. (LB.)
		A	B	C	D		
RPLF4A							
2-1/2"	AGD4A6	11.28	-	2.63	3.13	2"	0.7
3"	AGD4A6	11.28	-	2.63	3.13	2"	0.7
4"	AGD4A6	12.02	-	2.63	3.13	2"	0.7
6"	AGD4A6	13.32	-	2.63	3.13	2"	0.7
RPLF4AN							
2-1/2"	AGD4A6	-	10.87	2.63	3.13	2"	0.7
3"	AGD4A6	-	10.87	2.63	3.13	2"	0.7
4"	AGD4A6	-	10.51	2.63	3.13	2"	0.7
6"	AGD4A6	-	11.76	2.63	3.13	2"	0.7

AGD4A8 (8")



RP STYLE	AIR GAP PART NUMBER	DIMENSIONS (IN.)		OUTLET PIPE SIZE	OUTLET CONNECTION (FNPT)	WT. (LB.)
		A	B			
RPLF4A	AGD4A8	21.3	9.1	3"	2-1/2"	1.5
RPLF4AN	AGD4A8	19.8	9.1	3"	2-1/2"	1.5

AGD4A12IN (10" & 12")



RP STYLE	AIR GAP PART NUMBER	DIMENSIONS (IN.)		OUTLET PIPE SIZE	OUTLET CONNECTION (FNPT)	WT. (LB.)
		A	B			
RPLF4A	AGD4A12IN	26.3	7.7	4"	3"	5
RPLF4AN	AGD4A12IN	23.4	7.7	4"	3"	5

RV DISCHARGE RATES

