

# 95ALF Series

## Stop and Waste Ball Valve

### LEAD FREE



Job Name:	
Job Location:	
Engineer:	
Contractor:	
Tag:	
PO#:	
Rep:	
Wholesale Dist.:	

### DESCRIPTION

The Apollo International™ 95ALF Lead Free\* Forged Brass Stop and Waste Ball Valve combines reliable operation with maximum economy. Ideal for plumbing or hydronic systems where draining is required. IAPMO listed and ANSI 3rd party certified lead free.

### FEATURES

- Lead Free\* Materials and Certification
- 2 Piece, Full-Port Design
- Blowout-Proof Stem Design
- Adjustable stem packing Nut
- Drain Port With Finger Tight Shut-Off
- Fast, Quarter-Turn Operation

### APPROVALS

- MSS SP-110 Ball Valves
- IAPMO/ANSI Z1157 Ball Valves
- NSF/ANSI/CAN 61 Water Quality
- NSF/ANSI/CAN 372 Lead Free
- EU Directive 2015/863 (RoHS 3) Compliant
- EU Regulation (EC) 1907/2006 (REACH) Compliant

### PERFORMANCE RATING

- Maximum Pressure: 600 psi CWP
- Temperature Range: 32°F - 250°F

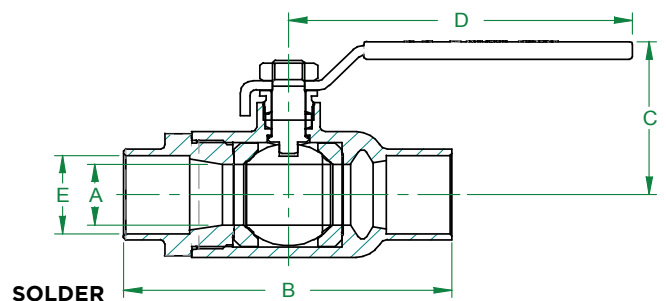
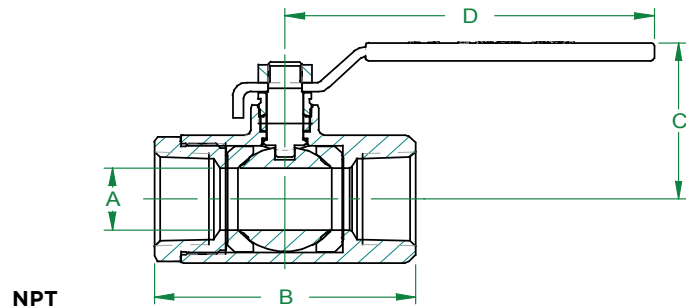
### STANDARD MATERIALS LIST

<b>BODY</b>	Lead Free Brass DZR
<b>RETAINER</b>	Lead Free Brass DZR
<b>BALL</b>	Lead Free Brass DZR, Chrome Plated
<b>STEM</b>	Lead Free Brass DZR
<b>SEATS</b>	PTFE
<b>STEM PACKING</b>	PTFE
<b>GLAND NUT</b>	Brass
<b>O-RING</b>	EPDM
<b>HANDLE</b>	Plated Steel w/ PVC Grip
<b>WASHER</b>	Plated Steel

\*\*95ALF-2xx intended for soft solder installation using solders with melting temperature of < 500°F.

### DIMENSIONS

MODEL NUMBER	SIZE (IN.)	DIMENSIONS (IN.)				
		A	B	C	D	E
<b>THREADED</b>						
95ALF-103-01	1/2	0.59	2.24	1.78	3.74	-
95ALF-104-01	3/4	0.79	2.53	2.09	3.94	-
95ALF-105-01	1	0.98	3.15	2.36	4.33	-
<b>SOLDER</b>						
95ALF-203-01	1/2	0.59	2.12	1.78	3.74	0.63
95ALF-204-01	3/4	0.79	2.87	1.94	3.94	0.88
95ALF-205-01	1	0.98	3.53	2.36	4.33	1.13



\*LEAD FREE: The wetted surfaces of this product shall contain no more than 0.25% lead by weighted average. Complies with Federal Public Law 111-380. ANSI 3rd party approved and listed.