

# 94XLF Series

PEX End Standard Port Ball Valve

## LEAD FREE



Job Name:	
Job Location:	
Engineer:	
Contractor:	
Tag:	
PO#:	
Rep:	
Wholesale Dist.:	

### DESCRIPTION

The Apollo International™ 94XLF lead free\* DZR forged brass ball valves combine reliable operation with maximum economy. Ideal for plumbing and heating applications including potable water. Intended for ASTM F1807 crimp installation into PEX B & C piping systems. Valves are ANSI 3rd party lead free\* certified and listed to NSF 14, NSF 61, and NSF 372.

### FEATURES

- Lead Free\* DZR Materials and Certification
- ASTM F1807 PEX Design
- White Handle Grip Identifies Lead Free Construction
- Standard Port Design
- Double O-ring Stem Seal
- Blow-Out Proof Stem Design
- Silicone Free Assembly

### APPROVALS

- NSF/ANSI/CAN 61 - Water Quality
- NSF/ANSI 372 - Lead Free
- NSF/ANSI 14
- ASTM F1807 Conformance

*Refer to PEX Piping Guidelines*

### STANDARD MATERIALS LIST

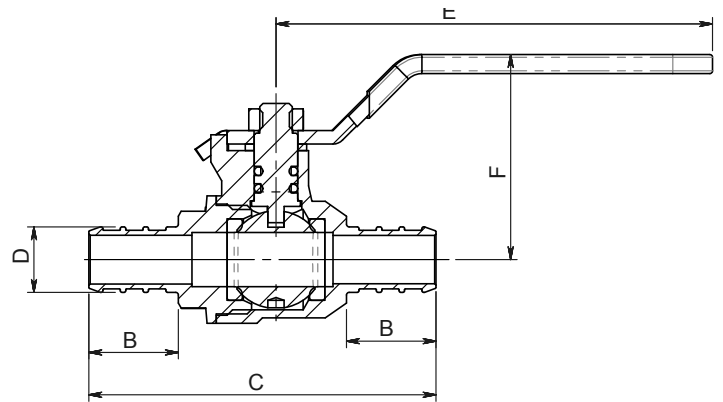
<b>BODY</b>	Lead Free DZR Brass
<b>RETAINER</b>	Lead Free DZR Brass
<b>BALL</b>	Lead Free DZR Brass, Chrome Plated
<b>STEM</b>	Brass C36000
<b>SEATS</b>	PTFE
<b>STEM O-RING SEALS</b>	EPDM
<b>GLAND NUT</b>	Brass, C37700
<b>HANDLE</b>	Steel, plated (with PVC grip)
<b>HANDLE NUT</b>	Stainless Steel

### PERFORMANCE RATING

- PEX Connector Rating:  
160 psi at 73°F  
100 psi at 180°F  
80 psi at 200°F
- Ball Valve Rating (Valve Only):  
400 CWP

### DIMENSIONS

PART NUMBER	SIZE (IN.)	DIMENSIONS (IN.)					WT. (LB.)
		B	C	D	E	F	
94XLF-103-01	1/2	0.65	2.52	.47	3.17	1.49	.25
94XLF-104-01	3/4	0.65	2.62	.67	3.17	1.57	.41
94XLF-105-01	1	0.80	2.91	.86	3.17	1.57	.57



\*LEAD FREE: The wetted surfaces of this product shall contain no more than 0.25% lead by weighted average. Complies with Federal Public Law 111-380. ANSI 3rd party approved and listed.