



Job Name:	
Job Location:	
Engineer:	
Contractor:	
Tag:	
PO#:	
Rep:	
Wholesale Dist.:	

### DESCRIPTION

The Apollo International™ Model 920F-LFA Flanged Cast Swing Check Valve provides full flow capabilities. It provides reliable and economical protection against reverse flow. The Model 920F-LFA Swing Check Valve can be reliably installed in plumbing and heating systems (or building service piping). Valves are MSS SP-71 compliant and include NSF lead free certifications.

### FEATURES

- Compatible with ANSI 250# & 300# Flanges
- Full Port
- Minimal Pressure Drop
- Flanged Connection
- Bolted Bonnet
- Integral Bronze Seat
- FDA Food Grade Epoxy Powder Coat Finish

### STANDARDS

- MSS SP-71 - Gray Iron Swing Check Valves Flanged and Threaded - Type 1
- ASME B16.10 - Face-to-Face and End-to-End Dimensions of Valves

### PERFORMANCE RATING

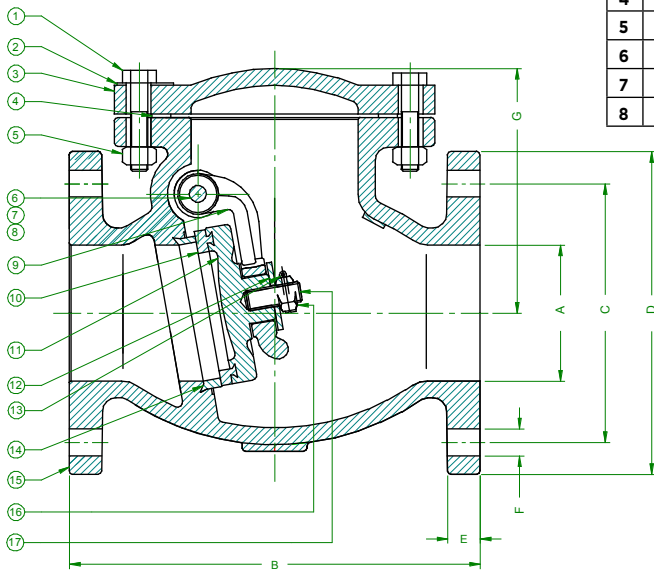
- Cold Working Pressure: 500 psi (34.5 Bar) at 100°F
- Saturated Steam: 125 psi (8.6 Bar) at 353°F
- Temperature Range: -20°F to 406°F Max

### APPROVALS

- NSF/ANSI 372 Lead Free
- NSF/AND 61 Water Quality

### STANDARD MATERIALS LIST

1	Bolts	Steel (ASTM A307 B)	9	Hanger	Ductile Iron (ASTM A536 65-45-12)
2	Nameplate	Aluminum	10	Disc Ring	Cast Lead Free Bronze
3	Bonnet	Cast Iron (ASTM A126 CL B)	11	Disc	Cast Iron (ASTM A126 CL B)
4	Body Gasket	Graphite	12	Washer	Steel (ASTM A307 B)
5	Nuts	Steel (ASTM A307 B)	13	Split Pin	Stainless Steel (ASTM 420 S42000)
6	Side Plug	Cast Lead Free Bronze	14	Seat Ring	Cast Lead Free Bronze
7	Gasket	PTFE	15	Body	Cast Iron (ASTM A126 CL B)
8	Hanger Pin	Cast Lead Free Bronze	16	Disc Nut	Steel (ASTM A307 B)



### DIMENSIONS

PART NUMBER	SIZE (IN.)	DIMENSIONS (IN.)							WT. (LB.)	CV (TYP)
		A	B	C	D	E	F	G		
6SC208B1LFA	2"	2.00	10.50	5.00	6.50	0.88	0.75	4.41	30	132
6SC209B1LFA	2.5"	2.50	11.50	5.88	7.50	1.00	0.88	5.24	44	192
6SC200B1LFA	3"	3.00	12.50	6.62	8.25	1.12	0.88	5.67	55	298
6SC20AB1LFA	4"	4.00	14.00	7.88	10.00	1.25	0.88	6.61	90	526
6SC20CB1LFA	6"	6.00	17.50	10.62	12.50	1.44	0.88	8.54	172	1,272
6SC20E01LFA	8"	8.00	21.00	13.00	15.00	1.62	1.00	10.28	289	2,278

Cv = GPM @1 psi pressure drop, 60°F water  
 \*Cv values are estimates only  
 \*\*Cast iron seat & disc ring  
 \*\*\*LFA models replace LF models

\*LEAD FREE: The wetted surfaces of this product shall contain no more than 0.25% lead by weighted average. Complies with Federal Public Law 111-380. ANSI 3rd party approved and listed.

# 920F-LFA

Class 250, Swing Check Valve