

910FLW-LFA

Class 125, Swing Check Valve

LEAD FREE

SUBMITTAL SHEET

"Apollo" Flow Controls



Job Name:	
Job Location:	
Engineer:	
Contractor:	
Tag:	
PO#:	
Rep:	
Wholesale Dist.:	

DESCRIPTION

The Apollo International™ Model 910FLW-LFA Flanged Cast Iron Swing Check valve with lever and weight provides full flow capabilities. It provides reliable and economical protection against reverse flow. The Model 910FLW-LFA Swing Check valve can reliably be installed in most plumbing and heating systems or building service piping. Valves are MSS SP-71 compliant and include NSF lead free certifications.

FEATURES

- Compatible with ANSI 125# & 150# Flanges
- Full Port
- Minimal Pressure Drop
- Flanged Connection
- Bolted Bonnet
- Integral Bronze Seat
- FDA Food Grade Epoxy Powder Coat Finish

STANDARDS

- MSS SP-71 - Gray Iron Swing Check Valves Flanged and Threaded - Type I
- ASME B16.10 - Face-to-Face and End-to-End Dimensions of Valves

APPROVALS

- NSF/ANSI 372 Lead Free
- NSF/AND 61 Water Quality

PERFORMANCE RATING

- Cold Working Pressure:
200 psi (13.8 Bar) at 100°F
- Saturated Steam:
125 psi (8.6 Bar) at 353°F
- Temperature Range: -20°F to 406°F Max

PART NUMBER MATRIX

SIZE (IN.)	PART NUMBER
2"	6SC108BILLFA
2-1/2"	6SC109BILLFA
3"	6SC100BILLFA
4"	6SC10ABILLFA
5"	6SC10BBILLFA
6"	6SC10CBILLFA
8"	6SC10E0ILLFA
10"	6SC10G0ILLFA
12"	6SC10H0ILLFA

**LFA models replace LF models

STANDARD MATERIALS LIST

1	Bolts	Steel (ASTM A307 B)
2	Nameplate	Aluminum
3	Bonnet	Cast Iron (ASTM A126 CL B)
4	Body Gasket	Graphite
5	Nuts	Steel (ASTM A307 B)
6	Side Plug	Cast Bronze (ASTM B148)
7	Gasket	PTFE
8	Hanger Pin	Cast Bronze (ASTM B148)
9	Hanger	Ductile Iron (ASTM A536 65-45-12)
10	Disc Ring	Cast Bronze (ASTM B148) (2"-6") Cast Iron (ASTM A126 CL B) (8"-12")
11	Disc	Cast Iron (ASTM A126 CL B)
12	Washer	Steel (ASTM A307 B)
13	Split Pin	Stainless Steel (ASTM 420 S42000)
14	Seat Ring	Cast Bronze (ASTM B148) (2"-6") Cast Iron (ASTM A126 CL B) (8"-12")
15	Body	Cast Iron (ASTM A126 CL B)
16	Disc Nut	Steel (ASTM A307 B)
17	Stud Bolt	Steel (ASTM A307 B)

*LEAD FREE: The wetted surfaces of this product shall contain no more than 0.25% lead by weighted average. Complies with Federal Public Law III-380. ANSI 3rd party approved and listed.

Customer Service (704) 841-6000
www.apolloflowcontrols.com

This specification is provided for reference only. Conbraco Industries Inc. reserves the right to change any portion of this specification without notice and without incurring obligation to make such changes to Conbraco products previously or subsequently sold. Please visit apolloflowcontrols.com for the most current information.



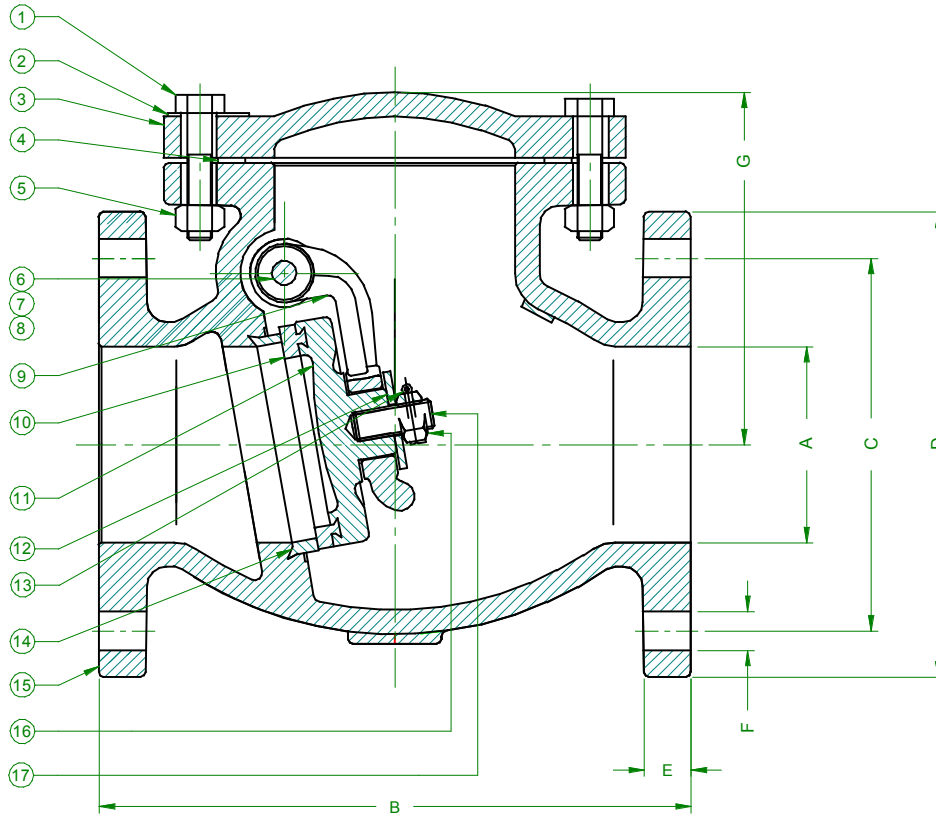
910FLW-LFA

Class 125, Swing Check Valve

LEAD FREE

SUBMITTAL SHEET

"Apollo" Flow Controls



DIMENSIONS

SIZE (IN.)	DIMENSIONS (IN.)							CV (TYP)
	A	B	C	D	E	F	G	
2"	2.00	8.00	4.75	6.00	0.62	0.75	5.12	132
2.5"	2.50	8.50	5.50	7.00	0.69	0.75	5.71	192
3"	3.00	9.50	6.00	7.50	0.75	0.75	7.48	298
4"	4.00	11.50	7.50	9.00	0.94	0.75	8.86	526
5"	5.00	13.00	8.50	10.00	1.00	0.88	9.66	852
6"	6.00	14.00	9.50	11.00	1.00	0.88	10.83	1272
8"	8.00	19.50	11.75	13.50	1.12	0.88	12.99	2278
10"	10.00	24.50	14.25	16.00	1.19	1.00	13.78	3588
12"	12.00	27.50	17.00	19.00	1.25	1.00	15.55	5342

Cv = GPM @ 1 psi pressure drop, 60°F water

*Cv values are estimates only