



Job Name:	
Job Location:	
Engineer:	
Contractor:	
Tag:	
PO#:	
Rep:	
Wholesale Dist.:	

### DESCRIPTION

The Apollo International™ Model 910F-LF Flanged Cast Iron Swing Check valve provides full flow capabilities. It provides reliable and economical protection against reverse flow. The Model 910F-LF SwingCheck valve can reliably be installed in plumbing and heating systems (or building service piping). Valves are MSS SP-71 compliant and now include NSF lead free certifications.

### FEATURES

- Compatible with ANSI 125# & 150# Flanges
- Full Port
- Minimal Pressure Drop
- Flanged Connection
- Bolted Bonnet
- Integral Bronze Seat

### STANDARDS

- MSS SP-71 - Gray Iron Swing Check Valves Flanged and Threaded Ends
- ASME B16.10 - Face-to-Face and End-to-End Dimensions of Valves

### APPROVALS

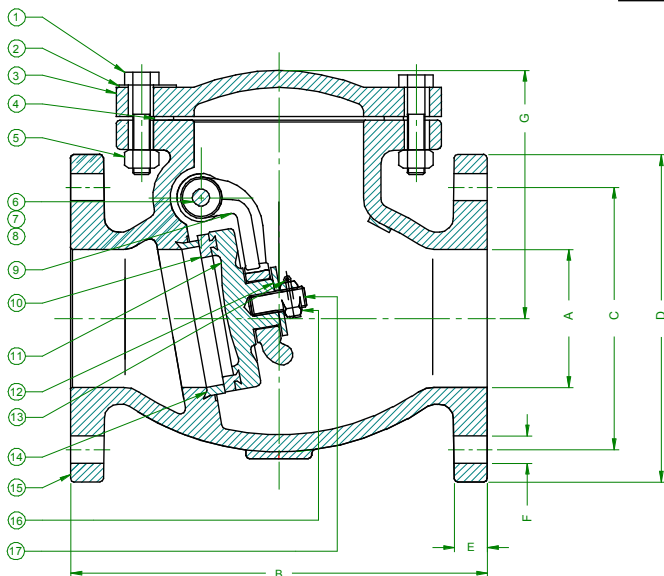
- NSF/ANSI 372 Lead Free
- NSF/ANSI 61 Water Quality

### PERFORMANCE RATING

- Cold Working Pressure:
    - 200 psi (13.8 Bar) at 100° F (2"-12")
    - 150 psi (10.3 Bar) at 100° F (14"-20")
  - Temperature Range: -20° F - 180° F Max
- Not For Steam Use**

### STANDARD MATERIALS LIST

<b>BOLTS</b>	Steel (ASTM A307 B)	<b>DISC RING</b>	Cast Lead Free Bronze (2"-6") Cast Iron (ASTM A126 CL B) (8"-20")
<b>NAMEPLATE</b>	Aluminum	<b>DISC</b>	Cast Iron (ASTM A126 CL B)
<b>BONNET</b>	Cast Iron (ASTM A126 CL B)	<b>WASHER</b>	Steel (ASTM A307 B)
<b>BODY GASKET</b>	Graphite	<b>SPLIT PIN</b>	Stainless Steel (ASTM 420 S42000)
<b>NUTS</b>	Steel (ASTM A307 B)	<b>SEAT RING</b>	Cast Lead Free Bronze (2"-6") Cast Iron (ASTM A126 CL B) (8"-20")
<b>SIDE PLUG</b>	Cast Lead Free Bronze	<b>BODY</b>	Cast Iron (ASTM A126 CL B)
<b>GASKET</b>	PTFE	<b>DISC NUT</b>	Steel (ASTM A307 B)
<b>HANGER PIN</b>	Cast Lead Free Bronze	<b>STUD BOLT</b>	Steel (ASTM A307 B)
<b>HANGER</b>	Ductile Iron (ASTM A536 65-45-12)		



### DIMENSIONS

PART NUMBER	SIZE (IN.)	DIMENSIONS (IN.)							WT. (LB.)	CV (TYP)
		A	B	C	D	E	F	G		
-	2"	2.00	8.00	4.75	6.00	0.62	0.75	4.41	26	132
6SC-109-B1-LF	2.5"	2.50	8.50	5.50	7.00	0.69	0.75	5.24	39	192
-	3"	3.00	9.50	6.00	7.50	0.75	0.75	5.67	47	298
6SC-10A-B1-LF	4"	4.00	11.50	7.50	9.00	0.94	0.75	6.61	82	526
-	5"	5.00	13.00	8.50	10.00	0.94	0.88	7.80	124	852
6SC-10C-B1-LF	6"	6.00	14.00	9.50	11.00	1.00	0.88	8.54	160	1272
-	8"	8.00	19.50	11.75	13.50	1.12	0.88	10.28	271	2278
6SC-10G-01-LF	10"	10.00	24.50	14.25	16.00	1.19	1.00	11.30	437	3588
-	12"	12.00	27.50	17.00	19.00	1.25	1.00	12.56	644	5342
-	14"	14.00	31.00	18.75	21.00	1.38	1.14	17.50	950	6512
6SC-10K-01-LF	16"	16.00	36.00	21.25	23.50	1.44	1.14	23.45	1160	8626
-	18"	18.00	36.00	22.75	25.00	1.56	1.25	27.50	1720	11488
-	20"	20.00	40.00	25.00	27.50	1.69	1.25	29.25	2094	14304

Cv = GPM @1 psi pressure drop, 60°F water  
\*Cv values are estimates only

\*LEAD FREE: The wetted surfaces of this product shall contain no more than 0.25% lead by weighted average. Complies with Federal Public Law 111-380. ANSI 3rd party approved and listed.