

data sheet

77FLF-200 series

full port solder end brass ball valve
 ½" - 2" | lead-free



description

The "Apollo"® 77FLF-200 series ½" to 2" is a lead-free DZR brass full port ball valve ideal for a wide variety of plumbing and heating applications, including potable water. These 2-piece style solder connection valves carry multi-agency approvals and are deigned to provide reliable operation at a competitive price. The 77FLF-200 series valve is intended to be soft soldered into lines without disassembly. Proudly manufactured in our South Carolina facilities.

- | | | |
|-------------------|--------------------|--|
| size range | connections | configurations |
| • ½" - 2" | • solder | • 77FLF-200 series - standard
• 77FLF-240 series - 316 ss ball & stem |

approvals

- MSS SP-110
- IAPMO/ANSI Z1157
- FM 1140 fire protection trim & drain
- NSF/ANSI 61 water quality
- NSF/ANSI 372 lead-free
- Buy American Act (BAA)
- Build America Buy America (BABA) Act

features

- EZ-Solder™ lead-free materials
- heavy pattern forged design
- corrosion resistant materials
- full-port flow
- premium RPTFE seats and packing
- adjustable stem packing
- blowout-proof stem
- dezincification resistant materials
- silicone free assembly
- 100% factory tested
- manufactured in the USA - BAA and BABA compliant

component	material
body	lead-free DZR brass, ASTM B927, C27451
retainer	lead-free DZR brass, ASTM B927, C27451
ball	stainless steel, ASTM A276-316, or lead-free DZR brass, ASTM B927, C27451 chrome plated
seat (2)	RPTFE
stem	lead-free DZR brass, ASTM B927, C27451
gland	lead-free DZR brass, ASTM B927, C27451
stem packing	RPTFE
handle	plated steel/insulated polyvinyl
nut	corrosion resistant plated steel

performance rating

CWP	SWP	temperature	vacuum service
600 psig	150 psig	350°F (maximum temperature)	29 in. Hg



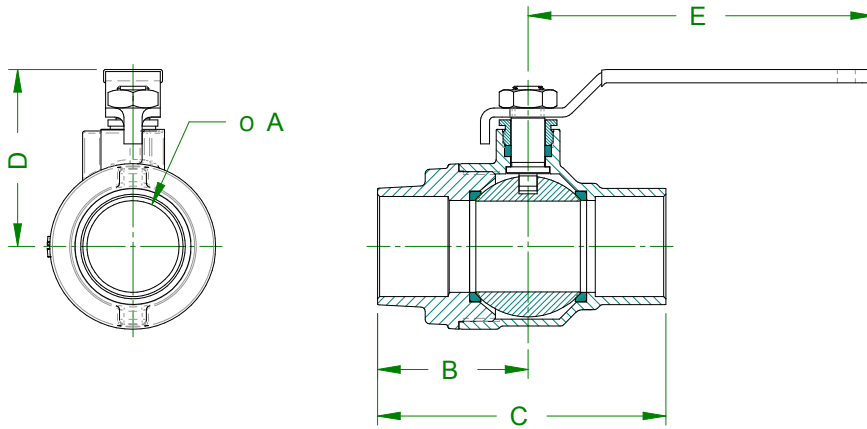
this specification is provided for reference only. we reserve the right to change any portion of this specification without notice and without incurring obligation to make such changes to Aalberts integrated piping systems products previously or subsequently sold.

Aalberts integrated piping systems

10715 Sikes Place / suite 200 / Charlotte / NC / 28277
aalberts-ips.us

job name	
job location	
engineer	
contractor	
tag	
PO#	
rep	
wholesaler dist	

data sheet



dimensions

part number	size	a	b	c	d	e	f	weight
77FLF-203-01	½"	0.50"	1.37"	2.37"	1.66"	2.85"	0.50"	0.40 lbs
77FLF-204-01	¾"	0.75"	1.72"	3.13"	1.91"	3.86"	0.75"	1.90 lbs
77FLF-205-01	1"	1.00"	2.01"	3.73"	2.11"	3.86"	0.91"	1.30 lbs
77FLF-206-01	1 ¼"	1.25"	2.07"	3.97"	2.44"	4.75"	0.97"	2.00 lbs
77FLF-207-01	1 ½"	1.50"	2.42"	4.69"	2.91"	5.42"	1.09"	3.30 lbs
77FLF-208-01	2"	2.00"	2.91"	5.82"	3.69"	7.77"	1.34"	5.60 lbs

options

option	component	size
(-01)	standard lever	all
(-04)	2 ¼" stem extension (carbon steel, zinc plated)	½" - 2 ½"
(-07)	steel tee handle	½" - 2"
(-10)	stainless steel lever & nut	½" - 2"
(-11)	Therma-Seal™ insulating tee handle	½" - 2"
(-27)	ss latch-lock lever & nut (standard configuration)	½" - 2 ½"

data sheet

77FLF-200 series

full port solder end brass ball valve
2 1/2" - 4" | lead-free



description

The "Apollo"® 77FLF-200 series 2 1/2" to 4" is a lead-free DZR brass full port ball valve ideal for a wide variety of plumbing and heating applications, including potable water. These 2-piece style solder connection valves carry multi-agency approvals and are deigned to provide reliable operation at a competitive price. The 77FLF-200 series valve is intended to be soft soldered into lines without disassembly. Proudly manufactured in our South Carolina facilities.

size range connections configurations

- 2 1/2" to 4"
- solder
- 77FLF-240 series - 316 ss ball & stem

approvals

- MSS SP-110
- IAPMO/ANSI Z1157
- NSF/ANSI 61 water quality
- NSF/ANSI 372 lead-free
- Buy American Act (BAA)
- Build America Buy America (BABA) Act

features

- EZ-Solder™ lead-free* materials
- heavy pattern forged design
- corrosion resistant materials
- full-port flow
- premium RPTFE seats and packing
- adjustable stem packing
- blowout-proof stem
- 2 1/2" - 4" sizes now feature 316 stainless steel ball and stem
- dezincification resistant materials
- silicone free assembly
- 100% factory tested
- manufactured in the USA - BAA and BABA compliant

component	material
body	lead-free DZR brass, ASTM B927, C27451
retainer	lead-free DZR brass, ASTM B927, C27451
ball	stainless steel, ASTM A276-316
seat (2)	RPTFE
stem	stainless steel, ASTM A276-316
gland	lead-free DZR brass, ASTM B927, C27451
stem packing	RPTFE
handle	plated steel/insulated polyvinyl
nut	corrosion resistant plated steel

performance rating

CWP	SWP	temperature	vacuum service
400 psig	150 psig	350°F (maximum temperature)	29 in. Hg



this specification is provided for reference only. we reserve the right to change any portion of this specification without notice and without incurring obligation to make such changes to Aalberts integrated piping systems products previously or subsequently sold.

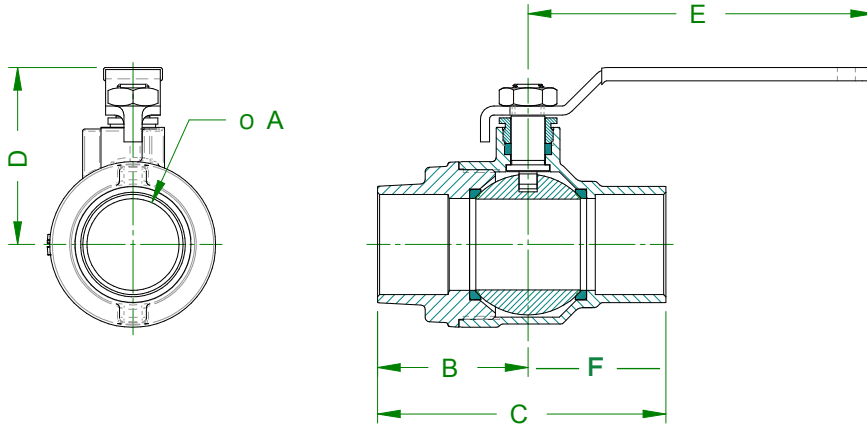
Aalberts integrated piping systems

10715 Sikes Place / suite 200 / Charlotte / NC / 28277

aalberts-ips.us

job name	
job location	
engineer	
contractor	
tag	
PO#	
rep	
wholesaler dist	

data sheet



dimensions

part number	size	a	b	c	d	e	f	weight
77FLF-249-01	2 ½"	2.50"	3.68"	7.05"	4.14"	7.77"	1.48"	11.60 lbs
77FLF-240-01	3"	3.00"	4.26"	8.15"	5.03"	9.92"	1.67"	19.30 lbs
77FLF-24A-01	4"	4.00"	4.82"	9.57"	5.70"	14.78"	2.16"	25.60 lbs

options

option	component	size
(-01)	standard lever	all
(-04)	2 ¼" stem extension (carbon steel, zinc plated)	2 ½" only
(-27)	ss latch-lock lever & nut (standard configuration)	2 ½" only