



submittal  
sheet

# 77V-LF series

press end forged ball valve | small diameter 1/2" - 2"

**lead free**



Apollo<sup>®</sup> Press



job name:	
job location:	
engineer:	
contractor:	
tag:	
PO#:	
rep:	
wholesale dist.:	

## description

the ApolloPress<sup>®</sup> 77VLF series lead free\* two-piece press ball valve is ideal for installation in most plumbing and heating systems, including potable water. now with leak before press<sup>®</sup> feature and 300 psig maximum working pressure. proudly made in the USA.

## features

- lead free\*, ANSI 3rd party certified and Listed
- full-port flow
- superior RPTFE seats and packing
- adjustable stem packing
- leak before press<sup>®</sup> technology
- blowout-proof stem
- corrosion resistant materials
- silicone free assembly
- 100% factory tested
- **made in USA, ARRA compliant**

## performance rating<sup>†</sup>

- maximum operating pressure: 300 psi
- temperature range: 0°F - 250°F

\*ApolloPress<sup>®</sup> connectors are designed for direct mechanical connection to ASTM B88-Type K, L, and M copper tubing in the hard drawn condition. press connectors are not suitable for flammable gas service.

## approvals

- MSS SP-110 ball valves
- IAPMO/ANSI Z1157 ball valves
- IAPMO PS-117 Press connections
- NSF/ANSI/CAN 61 water quality
- NSF/ANSI/CAN 372 lead free
- EU directive 2015/863 (RoHS 3) compliant
- EU regulation (EC) 1907/2006 (REACH) compliant

## approved applications

- water including potable water
- hydronic heating (90% glycol max)
- low pressure steam, 15 psi max
- not suitable for flammable gas service
- not compatible with soft annealed copper tubing

## options

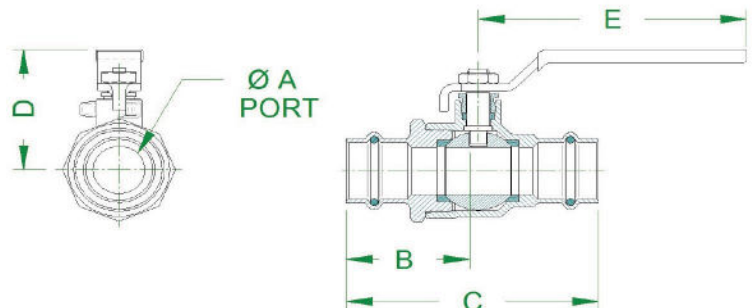
- (-01) standard lever handle
- (-04) 2-1/4" stem extension
- (-07) tee handle
- (-10) SS lever and nut
- (-11) therma-seal™ insulating tee handle
- (-27) locking handle SS
- 77VLF140 series - SS vented ball & stem

## standard materials list

<b>body</b>	lead free DZR brass, C27451
<b>retainer</b>	lead free DZR brass, C27451
<b>ball</b>	lead free DZR brass, C27451, chrome plated
<b>stem</b>	lead free DZR brass, C27451
<b>gland nut</b>	brass, ASTM B16, C36000
<b>seats</b>	RPTFE
<b>stem packing</b>	RPTFE
<b>handle</b>	plated steel / insulated polyvinyl
<b>stem nut</b>	corrosion resistant plated steel
<b>sealing element</b>	EPDM

## dimensions

model number	size (in.)	dimensions (in.)					wt. (lb.)
		A	B	C	D	E	
77VLF10301	1/2"	0.50	1.57	2.89	1.66	2.85	0.4
77VLF10401	3/4"	0.75	1.90	3.63	1.91	3.86	0.9
77VLF10501	1"	1.00	2.20	3.88	2.11	3.86	1.2
77VLF10601	1-1/4"	1.25	2.23	4.22	2.44	4.75	2.3
77VLF10701	1-1/2"	1.50	2.84	5.45	2.91	5.42	3.4
77VLF10801	2"	2.00	3.40	6.57	3.69	7.77	6.0



\*lead free: the wetted surfaces of this product shall contain no more than 0.25% lead by weighted average. complies with federal public law 111-380. ANSI 3rd party approved and listed.