

77V-LF series

press end forged ball valve | large diameter 2-1/2" - 4"

lead free



Apollo Press



job name:	
job location:	
engineer:	
contractor:	
tag:	
PO#:	
rep:	
wholesale dist:	

description

The APOLLOPRESS® 77VLF Series lead free* Ball valve is ideal for installation in most plumbing and heating systems including potable water. Features Leak Before Press® technology and 300 psig maximum working pressure. Proudly made in the USA.

features

- lead free*, ANSI 3rd party certified and listed
- 2 piece, heavy pattern forged design
- full-port flow
- adjustable stem packing
- fast, reliable, economical press installation
- Ridgid® XLC Press Tool compatible
- Leak Before Press® Technology
- blowout-proof stem
- dezincification resistant materials
- silicone free assembly
- 100% factory tested
- 316 SS ball and stem option (77VLF-140) for sizes 2-1/2" & 3", standard for 4"
- made in USA, ARRA compliant

performance rating†

- maximum operating pressure: 300 psi
- temperature range: 0°F - 250°F

†APOLLOPRESS® connectors are designed for direct mechanical connection to ASTM B88-Type K, L, and M copper tubing in the hard drawn condition. Press connectors are not suitable for steam or flammable gas service.

approvals

- MSS SP-110 ball valves
- NSF/ANSI 61 water quality
- NSF/ANSI 372 lead free
- directive 2011/65/CE (RoHS)
- IAPMO/ANSI Z1157 ball valves (2-1/2"-4")

approved applications

- water - chilled, hot and potable: 33° - 250°F
- hydronic heating (90% glycol max)
- low pressure steam, 15 psi max
- not suitable for flammable gas service
- designed for direct mechanical connection to ASTM B88-Type K, L, and M copper tubing in the hard drawn condition.
- not compatible with soft annealed copper tubing

options

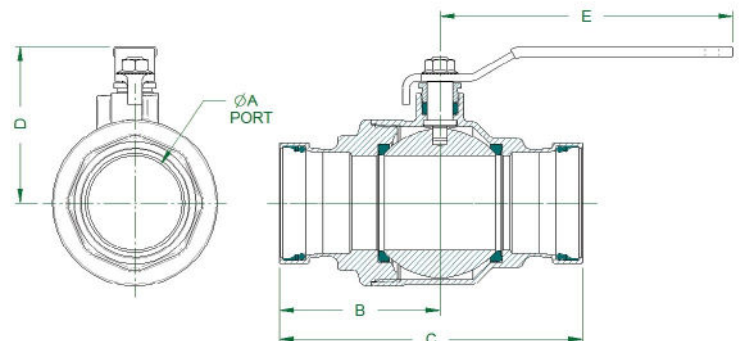
- (-01) standard lever handle
- (-04) 2-1/4" stem extension 1/2" - 2-1/2"
- (-27) locking handle SS 1/2" - 2-1/2"
- (-92) memory stop 3/4" - 2-1/2"
- (-94) 2-1/4" extension w/ memory stop 1/2" - 2-1/2"
- 77V140 series - SS ball & stem
- 77V-LF - small diameter 1/2" - 2"

standard materials list

body	lead free brass, C27451
seat	RPTFE
ball	lead free brass, C27451, chrome plated (2-1/2" & 3") 316 SS (4")
stem packing	RPTFE
nut	corrosion resistant plated steel
stem	lead free brass, C27451 (2-1/2" & 3") 316 SS (4")
retainer	lead free brass, C27451
handle	plated steel / insulated polyvinyl
gland	brass, ASTM B16, C36000
o-ring seals	EPDM
crimp ring	316 SS
spacer ring	nylon

dimensions

model number	size (in.)	dimensions (in.)					wt. (lb.)
		A	B	C	D	E	
77VLF-109-01	2-1/2"	2.50	4.26	8.04	4.13	7.77	12.0
77VLF-100-01	3"	3.00	5.10	9.45	5.03	9.92	19.5
77VLF-14A-01	4"	4.00	5.20	10.35	5.70	14.78	26.0



*lead free: The wetted surfaces of this product shall contain no more than 0.25% lead by weighted average. Complies with Federal Public Law 111-380. ANSI 3rd party approved and listed.