

77FLF-200 Series

Full Port Solder End Brass Ball Valve

LEAD FREE



| | |
|------------------|--|
| Job Name: | |
| Job Location: | |
| Engineer: | |
| Contractor: | |
| Tag: | |
| PO#: | |
| Rep: | |
| Wholesale Dist.: | |

DESCRIPTION

The Apollo 77FLF-200 Series is a lead free* full port forged brass ball valve ideal for a wide range of plumbing and heating applications, including potable water. These two piece style solder connection valves carry multi-agency approvals and are designed to provide reliable operation at a competitive price. The 77FLF-200 series valve is intended to be soft soldered into lines without disassembly. Proudly Made in the USA.

FEATURES

- EZ-Solder™ Lead Free Materials*
- Heavy Pattern Forged Design
- Full Port Flow
- Superior RPTFE Seats and Packing
- Adjustable Stem Packing
- Blowout-Proof Stem
- 2-1/2" - 4" Sizes Now Feature 316SS Ball and Stem (Standard)
- Dezincification Resistant Materials
- Silicone Free assembly
- 100% Factory Tested
- **Made in USA, ARRA Compliant**

APPROVALS

- MSSP-SP-110 Ball Valves
- IAPMO/ANSI Z1157-2014e1
- FM 1140 Fire Protection Trim & Drain (1/2" - 2")
- NSF/ANSI 61 Water Quality
- NSF/ANSI 372 Lead Free

OPTIONS

- (-01) Standard Lever
- (-04) 2-1/4" Stem Extension 1/2" - 2-1/2"
- (-07) Tee Handle 1/2" - 2"
- (-10) Stainless Steel Lever & Nut 1/2" - 2"
- (-11) Therma-Seal™ Insulating Tee Handle 1/2" - 2"
- (-27) Locking Handle SS 1/2" - 2-1/2"
- 77FLF240 Series - SS Ball & Stem

PERFORMANCE RATING

- Rating: 600 CWP (1/4" - 2")
- Rating: 400 CWP (2-1/2" - 4")
- Temperature Range: 0°F - 350°F
- Vacuum Service to 29 in. Hg

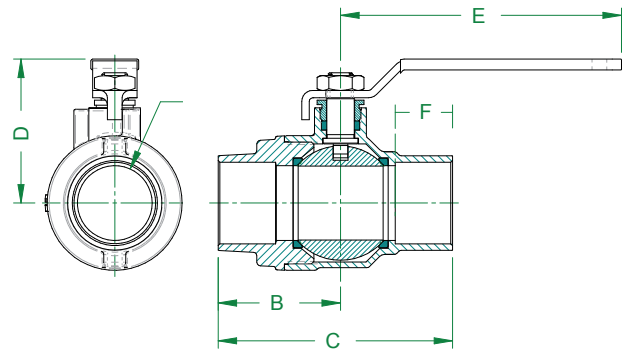
STANDARD MATERIALS LIST

| | |
|---------------------|---|
| BODY | Forged Lead Free Brass, C27451 |
| SEAT | Reinforced RPTFE |
| BALL | Lead Free Brass, C27451, Chrome Plated 316 SS (2-1/2" - 4") |
| STEM PACKING | Reinforced RPTFE |
| NUT | Corrosion Resistant Plated Steel |
| STEM | Lead Free Brass, C27451 316 SS (2-1/2" - 4") |
| RETAINER | Lead Free Brass, C27451 |
| HANDLE | Plated Steel / Insulated Polyvinyl |
| GLAND | Brass, ASTM B16, alloy C36000 |

****77FLF-2xx intended for soft solder installation using solders with melting temperature of < 500°F.**

DIMENSIONS

| MODEL NUMBER | SIZE (IN.) | DIMENSIONS (IN.) | | | | | | WT. (LB.) |
|--------------|------------|------------------|------|------|------|-------|------|-----------|
| | | A | B | C | D | E | F | |
| 77FLF-203-01 | 1/2" | 0.50 | 1.37 | 2.37 | 1.66 | 2.85 | 0.50 | 0.4 |
| 77FLF-204-01 | 3/4" | 0.75 | 1.72 | 3.13 | 1.91 | 3.86 | 0.75 | 0.9 |
| 77FLF-205-01 | 1" | 1.00 | 2.01 | 3.73 | 2.11 | 3.86 | 0.91 | 1.3 |
| 77FLF-206-01 | 1-1/4" | 1.25 | 2.07 | 3.97 | 2.44 | 4.75 | 0.97 | 2.0 |
| 77FLF-207-01 | 1-1/2" | 1.50 | 2.42 | 4.69 | 2.91 | 5.42 | 1.09 | 3.3 |
| 77FLF-208-01 | 2" | 2.00 | 2.91 | 5.82 | 3.69 | 7.77 | 1.34 | 5.6 |
| 77FLF-249-01 | 2-1/2" | 2.50 | 3.68 | 7.05 | 4.14 | 7.77 | 1.48 | 11.6 |
| 77FLF-240-01 | 3" | 3.00 | 4.26 | 8.15 | 5.03 | 9.92 | 1.67 | 19.3 |
| 77FLF-24A-01 | 4" | 4.00 | 4.82 | 9.57 | 5.70 | 14.78 | 2.16 | 25.6 |



*LEAD FREE: The wetted surfaces of this product shall contain no more than 0.25% lead by weighted average. Complies with Federal Public Law 111-380. ANSI 3rd party approved and listed.