

77C-UL-A Series

2 Piece Full Port Bronze Ball Valve for Fire Protection Trim and Drain Service



Job Name:	
Job Location:	
Engineer:	
Contractor:	
Tag:	
PO#:	
Rep:	
Wholesale Dist:	

DESCRIPTION

The Apollo 77C-UL-A "Contractor Grade" Ball Valve features a dezincification resistant bronze body, premium RPTFE seats and stem packing and a "Solid Ball" design that delivers true full-port flow performance. Cast and machined in Apollo's South Carolina manufacturing plants using proven ASTM materials. UL listed for fire protection trim and drain service.

FEATURES

- NPT and Solder Connections
- RPTFE Seats & Seals
- Blowout-Proof Stem Design
- Adjustable Stem Packing
- Full-Port "Solid Ball" Design
- (-01) Lever Handle Design
- 100% Factory Tested
- **Made in USA**

APPROVALS

- MSS SP-110 Compliant

UL LISTED

- UL 258 - Fire Protection Trim & Drain, Guide VQGU to 175psi max (1/4" - 2")
- *Gas approvals apply to NPT models only**

STANDARD MATERIALS LIST

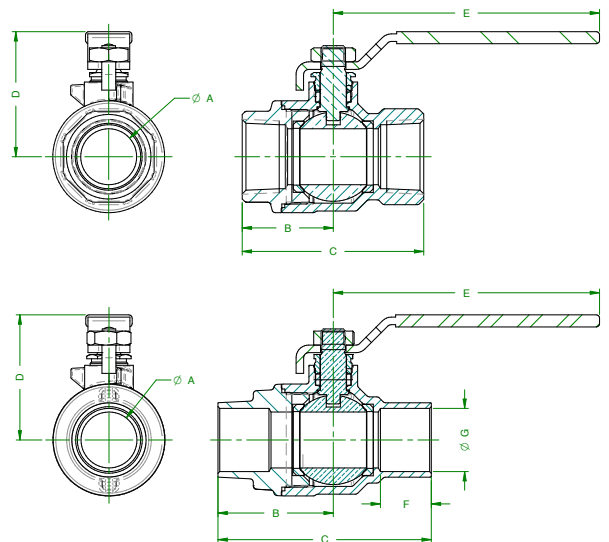
GLAND NUT	ASTM B16 Brass
NUT	Zinc Plated Steel
PACKING	RPTFE
SEATS	RPTFE
STEM	ASTM B16 Brass
BALL	ASTM B16 Brass Chrome Plated or B283, C37700 Chrome Plated
RETAINER	B584 Bronze or B283, C37700
BODY	B584 Bronze
HANDLE	Zinc Plated Steel/Vinyl

****77C-2xx intended for soft solder installation using solders with melting temperature of < 500°F.**

DIMENSIONS

PART NO.	SIZE (IN.)	DIMENSIONS (IN.)								C _v	WT. * (LB.)
		A	B	C	D	E	F	G			
NPT											
77C-101-ULA	1/4"	0.37	0.88	1.8	1.65	2.82	-	-	5	0.6	
77C-102-ULA	3/8"	0.37	0.94	1.86	1.65	2.82	-	-	7	0.5	
77C-103-ULA	1/2"	0.50	1.15	2.29	1.79	3.82	-	-	16	0.96	
77C-104-ULA	3/4"	0.75	1.34	2.67	1.91	3.82	-	-	36	1.34	
77C-105-ULA	1"	1.00	1.63	3.24	2.24	4.72	-	-	68	2.36	
77C-106-ULA	1-1/4"	1.25	1.9	3.75	2.46	4.72	-	-	125	5.07	
77C-107-ULA	1-1/2"	1.50	2.06	4.11	2.9	5.37	-	-	177	4.96	
77C-108-ULA	2"	2.00	2.43	4.85	3.68	7.72	-	-	389	10.06	
SOLDER											
77C-203-ULA	1/2"	0.50	1.36	2.47	1.79	3.82	0.50	0.63	16	0.6	
77C-204-ULA	3/4"	0.75	1.73	3.20	1.91	3.82	0.75	0.88	36	1.0	
77C-205-ULA	1"	1.00	2.06	3.81	2.24	4.72	0.91	1.13	68	1.6	
77C-206-ULA	1-1/4"	1.25	2.22	4.21	2.46	4.72	0.97	1.38	125	3.9	
77C-207-ULA	1-1/2"	1.50	2.53	4.90	2.9	5.37	1.09	1.63	177	4.3	
77C-208-ULA	2"	2.00	3.15	6.07	3.68	7.72	1.34	2.13	389	7.6	

*Weights based on Standard Configuration



**LEAD FREE: The wetted surfaces of this product shall contain no more than 0.25% lead by weighted average. Complies with Federal Public Law 111-380. ANSI 3rd party approved and listed.*