



Job Name:	
Job Location:	
Engineer:	
Contractor:	
Tag:	
PO#:	
Rep:	
Wholesale Dist.:	

### DESCRIPTION

The Apollo International™ Model 711F-LF Flanged Cast Iron Globe valve provides efficient throttling capabilities. The Model 711F-LF Globe valve can reliably be installed in plumbing and heating systems (or building service piping). Valves are MSS SP-85 compliant and include NSF lead free certifications.

### FEATURES

- Compatible with ANSI 125# & 150# Flanges
- Full Port
- Bronze Mounted Seat Rings
- Positive Shut-Off
- Throttling Capabilities
- Adjustable Graphite Stem Packing
- Outside Screw and Yoke
- Bolted Bonnet
- Back Seat Protection

### STANDARDS

- MSS SP-85 - Gray Iron Globe and Angle Valves Flanged and Threaded Ends
- ASME B16.10 - Face-to-Face and End-to-End Dimensions of Valves

### PERFORMANCE RATING

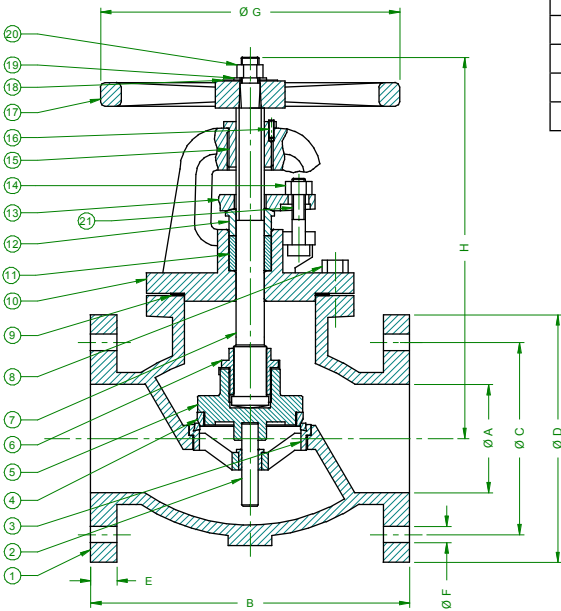
- Cold Working Pressure: 200 psi (13.8 Bar) at 100° F (2"-12")
  - Temperature Range: -20° F - 180° F Max
- Not For Steam Use**

### APPROVALS

- NSF/ANSI 372 Lead Free
- NSF/ANSI 61 Water Quality

### STANDARD MATERIALS LIST

1	Body	Cast Iron (ASTM A126 CL B)	12	Bonnet	Cast Iron (ASTM A126 CL B)
2	Guide Spindle	Cast Lead Free Bronze	13	Packing	PTFE
3	Seat Ring	Cast Lead Free Bronze	14	Packing Gland	Cast Lead Free Bronze
4	Disc Seal Ring	Cast Lead Free Bronze	15	Gland Follower	Ductile Iron (ASTM A536 65-45-12)
5	Disc	Cast Lead Free Bronze	16	Gland Follower Nuts	Carbon Steel (ASTM A307 B)
6	Gasket	Cast Lead Free Bronze	17	Yoke Bushing	Cast Lead Free Bronze
7	Swivel Nut	Cast Lead Free Bronze	18	Screw	Carbon Steel (ASTM A307 B)
8	Stem	Cast Lead Free Bronze	19	Handwheel	Cast Iron (ASTM A126 CL B)
9	Bolts	Carbon Steel (ASTM A307 B)	20	Nameplate	Aluminum
10	Gland Follower Bolts	Carbon Steel (ASTM A307 B)	21	Washer	Carbon Steel (ASTM A307 B)
11	Body Gasket	Graphite	22	Handwheel Nut	Ductile Iron (ASTM A536 65-45-12)



### DIMENSIONS

PART NUMBER	SIZE (IN.)	DIMENSIONS (IN.)								WT. (LB.)	CV (TYP)
		A	B	C	D	E	F	G	H (OPEN)		
-	2"	2.00	8.00	4.76	6.00	0.62	0.75	7.00	11.61	36	52
6GB-119-B1-LF	2.5"	2.50	8.50	5.50	7.00	0.69	0.75	7.00	12.99	49	76
-	3"	3.00	9.50	6.00	7.50	0.75	0.75	8.00	14.37	64	116
6GB-11A-B1-LF	4"	4.00	11.50	7.50	9.00	0.94	0.75	10.00	15.75	94	204
-	5"	5.00	13.00	8.50	10.00	0.94	0.88	12.00	17.72	137	328
6GB-11C-B1-LF	6"	6.00	14.00	9.50	11.00	1.00	0.88	12.00	20.67	195	488
-	8"	8.00	19.50	11.75	13.50	1.12	0.88	14.00	23.43	315	874
-	10"	10.00	24.50	14.25	16.00	1.19	1.00	16.00	26.97	485	1376

Cv = GPM @1 psi pressure drop, 60°F water

\*Cv values are estimates only

\*\*LFA models replace LF models

NOTE: Flat face mating flanges and full face gaskets must be installed to avoid damage to the cast iron body.

\*LEAD FREE: The wetted surfaces of this product shall contain no more than 0.25% lead by weighted average. Complies with Federal Public Law 111-380. ANSI 3rd party approved and listed.

# "Apollo" Valves

Class 125, Outside NPT & A Flange, Globe Valve

