

70LF-800 Series

Male x Female NPT Bronze Ball Valve

LEAD FREE



Job Name:	
Job Location:	
Engineer:	
Contractor:	
Tag:	
PO#:	
Rep.:	
Wholesale Dist.:	

DESCRIPTION

The Apollo 70LF-800 Series is a standard port* ball valve that eliminates the need for an extra nipple when connecting to female connections.

FEATURES

- Lead Free* Brass & Bronze Materials
- Distinctive White "Lead Free" Handle Grip and Blue "Lead Free" Hang Tag
- RPTFE Seats and Stem Packing
- Chromium Plated Ball
- **Designed, Manufactured and 100% Factory Tested in the USA**

PERFORMANCE RATING

- CWP: 600 psi (41.37 Bar) at 100°F
- SWP: 150 psi (10.34 Bar) at 366°F
- Maximum Temperature: 450°F
- Vacuum Service to 29 in. Hg

MODELS

- 70LF-840 Series - 316 SS Ball & Stem

APPROVALS

- MSS SP-110; Ball Valves, Threaded, Socket-Welding
- Federal Specifications: WW-V-35C, Type: II
- CRN: OC10908.5C
- NSF/ANSI 61 - Water Quality
- NSF/ANSI 372 - Lead Free

OPTIONS

- (-04) 2-1/4" CS Stem Extension 1/2" - 1-1/4"
- (-07) Steel Tee Handle 1/2" - 1-1/4"
- (-10) SS Lever & Nut 1/2" - 1-1/4"
- (-11) Therma-Seal™ Insulating Tee Handle 1/2" - 1-1/4"
- (-27) SS Latch-Lock Lever & Nut 1/2" - 1-1/4"
- (-32) SS Tee Handle 1/2" - 1-1/4"

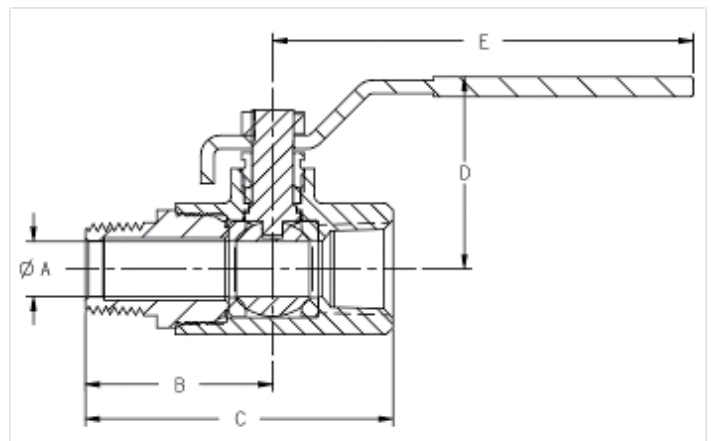
STANDARD MATERIALS LIST

LEVER / GRIP	Steel, Zinc Plated w/ Vinyl Grip
STEM PACKING	MPTFE
STEM BEARING	RPTFE
BALL	C27451, Lead Free Brass, Cr Plated
SEAT (2)	RPTFE
RETAINER	C27451 Lead Free Brass
GLAND NUT	B16 Brass
STEM	C27451 Lead Free* Brass
LEVER NUT	Steel, Zinc Plated
BODY	C89836 Lead Free* Bronze

DIMENSIONS

PART NUMBER	SIZE (IN.)	DIMENSIONS (IN.)					WT. (LB.)
		A	B	C	D	E	
70LF-803-01	1/2"	0.50	1.68	2.81	1.81	3.87	0.72
70LF-804-01	3/4"	0.68	2.00	3.50	2.12	4.87	1.42
70LF-805-01	1"	0.87	2.31	4.00	2.25	4.87	1.93
70LF-806-01	1-1/4"	1.00	2.31	4.31	2.62	5.50	3.19

*1/2" model is a full-port design.



*LEAD FREE: The wetted surfaces of this product shall contain no more than 0.25% lead by weighted average. Complies with Federal Public Law 111-380. ANSI 3rd party approved and listed.