

# 70LF-400 Series

Single Union End, Solder Bronze Ball Valve

## LEAD FREE



Job Name:	
Job Location:	
Engineer:	
Contractor:	
Tag:	
PO#:	
Rep.:	
Wholesale Dist.:	

### DESCRIPTION

The Apollo 70LF-400 Series is a standard port ball valve that is designed to be soft soldered in to lines without disassembly. Manufactured with proven ASTM materials.

### FEATURES

- ASTM B584 Lead Free Bronze
- Blowout-Proof Stem Design
- Adjustable Packing Gland
- 600 psig CWP, Non-Shock
- NPT and Solder Union Connection
- Vacuum Service to 29 in. Hg
- EZ-Solder™ Lead Free Bronze

### PERFORMANCE RATING

- Maximum Pressure: 600 psi CWP | 150 psi SWP
- Maximum Temperature: 350°F
- Vacuum Service to 29 in. Hg

### APPROVALS

- MSS SP-110 Ball Valves
- NSF/ANSI 61 Water Quality
- NSF/ANSI 372 Lead Free
- IAPMO IGC-157 Ball Valves
- Directive 2011/65/CE (RoHS)

### MODELS

- 70LF-400 Series - Standard
- 70LF-440 Series - 316 SS Ball & Stem

### OPTIONS

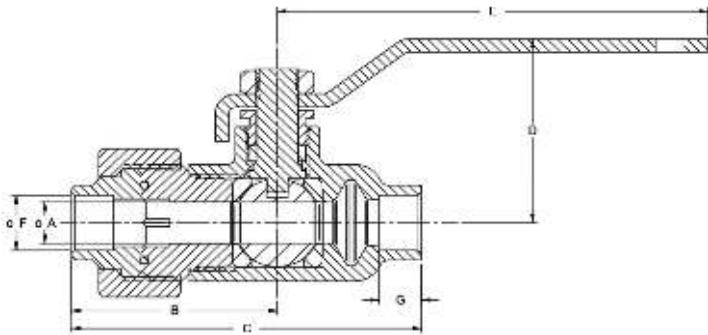
- (-04) 2-1/4" CS Stem Extension 3/4" - 2"
- (-10) SS Lever & Nut 3/4" - 2"
- (-27) SS Latch-Lock Lever & Nut 3/4" - 2"
- (-63) NPT x Solder/Socket Weld 3/4" - 2"

### STANDARD MATERIALS LIST

<b>LEVER AND GRIP</b>	Steel, Zinc Plated w/ Vinyl
<b>STEM PACKING / BEARING</b>	RPTFE
<b>BALL</b>	C27451 Lead Free Brass
<b>SEAT (2)</b>	RPTFE
<b>RETAINER</b>	C27451 Lead Free Brass (3/4" to 1-1/2"), B584-C89836 Lead Free Bronze (2")
<b>GLAND NUT &amp; STEM</b>	B16 Brass
<b>LEVER NUT</b>	Steel, Zinc Plated
<b>BODY SEAL (1-1/4" TO 2")</b>	PTFE
<b>BODY</b>	B584 C89836 Lead Free Bronze
<b>TAILPIECE &amp; NUT</b>	C27451 or B584-C80836
<b>UNION SEAL</b>	Fluorocarbon
<b>STEM</b>	C27451 Lead Free Brass

### DIMENSIONS

MODEL NUMBER	SIZE (IN.)	DIMENSIONS (IN.)							WT. (LB.)
		A	B	C	D	E	F	G	
70LF-404-01	3/4	0.68	2.62	4.56	2.06	4.78	0.88	0.75	1.93
70LF-405-01A	1	0.87	2.87	5.66	2.25	4.78	1.13	0.90	2.42
70LF-406-01	1-1/4	1.00	2.87	5.18	2.62	5.50	1.38	0.96	4.11
70LF-407-01	1-1/2	1.25	2.92	5.53	3.10	8.00	1.63	1.09	5.44
70LF-408-01	2	1.50	3.50	6.75	3.24	8.00	2.13	1.34	7.77



\*LEAD FREE: The wetted surfaces of this product shall contain no more than 0.25% lead by weighted average. Complies with Federal Public Law 111-380. ANSI 3rd party approved and listed.