

70LF-300 Series

Single Union End Bronze Ball Valve

LEAD FREE



Job Name:	
Job Location:	
Engineer:	
Contractor:	
Tag:	
PO#:	
Rep:	
Wholesale Dist.:	

DESCRIPTION

The Apollo 70LF-300 Series is a standard port ball valve that combines pipe union with ball valve shut-off.

FEATURES

- ASTM B584 Lead Free Bronze
- Blowout-Proof Stem Design
- Adjustable Packing Gland
- 600 psig CWP, Non-Shock
- NPT and Solder Union Connection
- Vacuum Service to 29 in. Hg
- 70LF-300/400 Feature EZ-Solder™ Lead Free Bronze

PERFORMANCE RATING

- Maximum Pressure: 600 psi CWP | 150 psi SWP
- Maximum Temperature: 500°F
- Vacuum Service to 29 in. Hg

APPROVALS

- MSS SP-110 Ball Valves
- NSF/ANSI 61 Water Quality
- NSF/ANSI 372 Lead Free
- IAPMO IGC-157 Ball Valves
- Directive 2011/65/CE (RoHS)

MODELS

- 70LF-300 Series - Standard
- 70LF-340 Series - 316 SS Ball & Stem

OPTIONS

- (-04) 2-1/4" CS Stem Extension 1/2" - 2"
- (-10) SS Lever & Nut 1/2" - 2"
- (-27) SS Latch-Lock Lever & Nut 3/4" - 2"
- (-63) NPT x Solder/Socket Weld 1/2" - 2"

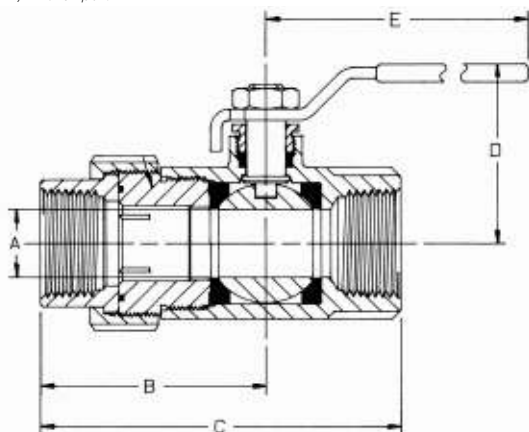
STANDARD MATERIALS LIST

BODY	Lead Free Brass, C27451
SEAT	RPTFE
BALL	Lead Free Brass, C27451, Chrome Plated
STEM PACKING	RPTFE
NUT	Corrosion Resistant Plated Steel
STEM	Lead Free Brass, C27451
RETAINER	Lead Free Brass, C27451
HANDLE	Plated Steel / Insulated Polyvinyl
GLAND	Brass, ASTM B16, C36000
O-RING SEALS	Viton

DIMENSIONS

MODEL NUMBER	SIZE (IN.)	DIMENSIONS (IN.)					WT. (LB.)
		A	B	C	D	E	
70LF-303-01	1/2	0.50	2.00	3.09	1.75	3.87	0.99
70LF-304-01	3/4	0.68	2.46	3.96	2.12	4.87	1.91
70LF-305-01A	1	0.87	2.84	4.52	2.25	4.87	2.42
70LF-306-01	1-1/4	1.00	2.68	4.68	2.62	5.50	4.27
70LF-307-01	1-1/2	1.25	2.87	5.06	3.05	8.00	5.82
70LF-308-01	2	1.50	3.25	5.59	3.24	8.00	8.55

NOTE: 1/2" is full port



*LEAD FREE: The wetted surfaces of this product shall contain no more than 0.25% lead by weighted average. Complies with Federal Public Law 111-380. ANSI 3rd party approved and listed.