

# 70LF-100 Series

NPT Bronze Ball Valve

## LEAD FREE



|                  |  |
|------------------|--|
| Job Name:        |  |
| Job Location:    |  |
| Engineer:        |  |
| Contractor:      |  |
| Tag:             |  |
| PO#:             |  |
| Rep:             |  |
| Wholesale Dist.: |  |

### DESCRIPTION

The Apollo 70LF Series two-piece regular port ball valve has the same rugged features as the industry standard 70 Series valves with the added advantage of DZR lead free\* materials. The 70LF is ideal for plumbing and heating systems, including potable water. Trusted Apollo® performance with a wide range of popular options.

### FEATURES

- EZ-Solder™ Lead Free\* Brass & Bronze Materials
- Distinctive White "Lead Free" Handle Grip and Blue "Lead Free" Hang Tag
- RPTFE Seats and Stuffing Box Ring
- Chromium Plated Ball
- **Designed, Manufactured and 100% Factory Tested in the USA**

### PERFORMANCE RATING

- CWP: 600 psi (41.37 Bar) at 100°F
- SWP: 150 psi (10.34 Bar) at 366°F
- Maximum Temperature: 350°F
- Vacuum Service to 29 in. Hg

### MODELS

- 70LF-100 Series - Standard
- 70LF-140 Series - 316 SS Ball & Stem

### APPROVALS

- MSS SP-110 - Ball Valves Threaded, Socket-Welding, Solder Joint, Grooved and Flared Ends
- NSF/ANSI 61 - Water Quality
- NSF/ANSI 372 - Lead Free
- CRN: OC10908.5C

### OPTIONS

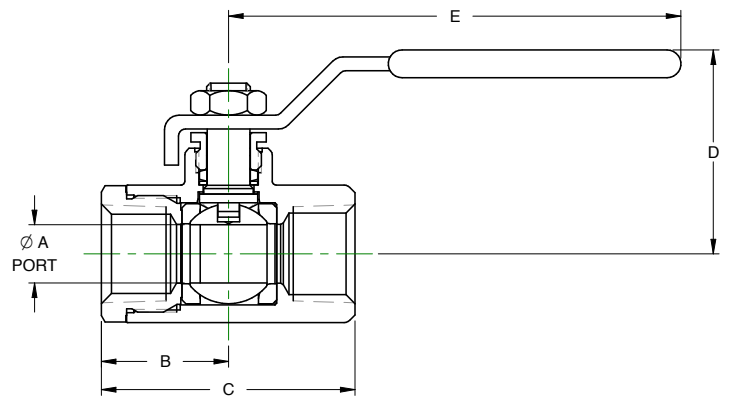
- (-04) 2-1/4" CS Stem Extension 1/4" - 3"
- (-07) Steel Tee Handle 1/4" - 2"
- (-10) SS Lever & Nut 1/4" - 3"
- (-11) Therma-Seal™ Insulating Tee Handle 1/4" - 2"
- (-27) SS Latch-Lock Lever & Nut 1/4" - 4"
- (-92) Balancing Stop 1/4" - 3"
- (-94) -04 Option & Balancing Stop 1/4" - 3"
- (-HC) Hose Cap & Chain 1/2" - 1"

### STANDARD MATERIALS LIST

|                     |  |
|---------------------|--|
| <b>LEVER / GRIP</b> | Steel, Zinc Plated w/ Vinyl Grip   |
| <b>STEM PACKING</b> | MPTFE  |
| <b>STEM BEARING</b> | RPTFE  |
| <b>BALL</b>         | C27451, Lead Free Brass, Cr Plated   |
| <b>SEAT (2)</b>     | RPTFE  |
| <b>RETAINER</b>     | C27451 Lead Free Brass (1/4" to 1")<br>C89836 Lead Free Bronze (1-1/4" - 4") |
| <b>GLAND NUT</b>    | B16 Brass  |
| <b>STEM</b>         | C27451 Lead Free* Brass<br>A276-316 Stainless Steel (3" only)                |
| <b>LEVER NUT</b>    | Steel, Zinc Plated   |
| <b>BODY</b>         | C89836 Lead Free* Bronze   |

### DIMENSIONS

| PART NUMBER | SIZE (IN.) | DIMENSIONS (IN.) |      |      |      |       | WT. (LB.) |
|-------------|------------|------------------|------|------|------|-------|-----------|
|             |            | A                | B    | C    | D    | E     |           |
| 70LF-101-01 | 1/4"       | 0.37             | 1.03 | 2.06 | 1.75 | 3.87  | 0.60      |
| 70LF-102-01 | 3/8"       | 0.37             | 1.03 | 2.06 | 1.75 | 3.87  | 0.56      |
| 70LF-103-01 | 1/2"       | 0.50             | 1.12 | 2.25 | 1.75 | 3.87  | 0.63      |
| 70LF-104-01 | 3/4"       | 0.68             | 1.50 | 3.00 | 2.12 | 4.87  | 1.39      |
| 70LF-105-01 | 1"         | 0.87             | 1.68 | 3.37 | 2.25 | 4.87  | 1.72      |
| 70LF-106-01 | 1-1/4"     | 1.00             | 2.00 | 4.00 | 2.62 | 5.50  | 3.26      |
| 70LF-107-01 | 1-1/2"     | 1.25             | 2.18 | 4.37 | 3.06 | 8.00  | 4.61      |
| 70LF-108-01 | 2"         | 1.50             | 2.34 | 4.68 | 3.25 | 8.00  | 6.06      |
| 70LF-109-01 | 2-1/2"     | 2.00             | 3.12 | 6.25 | 3.72 | 8.00  | 13.96     |
| 70LF-100-01 | 3"         | 2.50             | 3.37 | 6.75 | 4.12 | 8.00  | 18.60     |
| 70LF-10A-01 | 4"         | 3.12             | 3.68 | 7.37 | 5.25 | 10.00 | 25.50     |



\*LEAD FREE: The wetted surfaces of this product shall contain no more than 0.25% lead by weighted average. Complies with Federal Public Law 111-380. ANSI 3rd party approved and listed.