

6PLF Series

Cast Iron Class 125 Flanged Ball Valve

LEAD FREE



Job Name:	
Job Location:	
Engineer:	
Contractor:	
Tag:	
PO#:	
Rep:	
Wholesale Dist.:	

DESCRIPTION

The Apollo International™ 6PLF Series Class 125 Cast Iron Ball Valve offers premium features including FDA epoxy coating, stainless steel ball and stem construction, NSF 61 approval and ANSI 3rd party certification to NSF 372 Lead Free. A compact and cost effective alternative to conventional cast iron gate valves, the 6PLF ball valve is ideal for both potable water and general HVAC applications.

FEATURES

- A126 Class B Cast Iron Body with FDA Food-Grade Epoxy Powder Coat
- Stainless Steel Ball & Stem
- PTFE Seats
- ISO 5211 Mounting Pad for Easy Actuation
- Removable Handles to Fit Into Areas of Limited Space
- Full Port Through 6"
- Lockable in Open or Closed Position
- Lever Handles are Standard 2" - 6"
- Gear Operators are Standard 8" & 10"

APPROVALS

- Face-to-Face and Flange Dimensions Conform to ANSI Standard B16.10
- Conforms to MSS SP-72
- ANSI B16.1
- AWWA C507-99: "Proof-of-Design Test"
- NSF/ANSI 372 Lead Free
- NSF/ANSI 61 Water Quality
- FED.SPEC.WW-V-35
- Conforms to API 598 testing

OPTIONS

- Actuator Mounting Kits 2" - 6"

PERFORMANCE RATING

- Maximum Pressure: 200 CWP / 125 SWP
- Maximum Temperature: 353° F
- Vacuum Service to 29" Hg

STANDARD MATERIALS LIST

Item #	Part Name	Material
1	Body	Cast Iron/A126 Class B
2	Body Stud	A193 B7
3	Body Nut	A194 2H
4	Gasket Body	PTFE
5	Adapter Cap	Cast Iron/A126 Class B
6	Seat	PTFE
7	Ball	304 Stainless Steel
8	Stem	304 Stainless Steel
9	Thrust Bearing	PTFE
10	Packing (lower)	PTFE
11	Packing (middle)	PTFE
12	Packing (top)	PTFE
13	Packing Follower	Stainless Steel
14	Gland Plate	Carbon Steel
15	Stem Indicator	Carbon Steel
16	Gland Stud	Carbon Steel
17	Indicator Follower	Stainless Steel
18	Handle Bracket	Ductile Iron
19	Handle Gasket	Carbon Steel
20	Handle Stop Screw	Carbon Steel
21	Handle Stop Screw	Carbon Steel
22	Handle	Carbon Steel
23	Handle Grip	Vinyl Foam Rubber

PART NUMBER MATRIX

LF MODEL NUMBER	SIZE (IN.)	MIN. OP. TORQUE	Cv	WT. (KG.)	WT. (LB.)
6PLF-208-01	2	420 in-lb	500	11.10	24.47
6PLF-209-01	2-1/2	576 in-lb	750	17.50	38.58
6PLF-200-01	3	744 in-lb	1245	22.00	48.50
6PLF-20A-01	4	1560 in-lb	2500	33.90	74.74
6PLF-20C-01	6	3120 in-lb	5470	58.25	128.42
6PLF-20E-01*	8	4320 in-lb	4150	91.65	202.05
6PLF-20G-01*	10	6420 in-lb	6700	128.50	283.29

*Supplied with gear operator.

REPLACEMENT HANDLE KIT

LF MODEL NUMBER	SIZE (IN.)
78257201	2
78257301	2-1/2
78257301	3
78257401	4
78257501	6

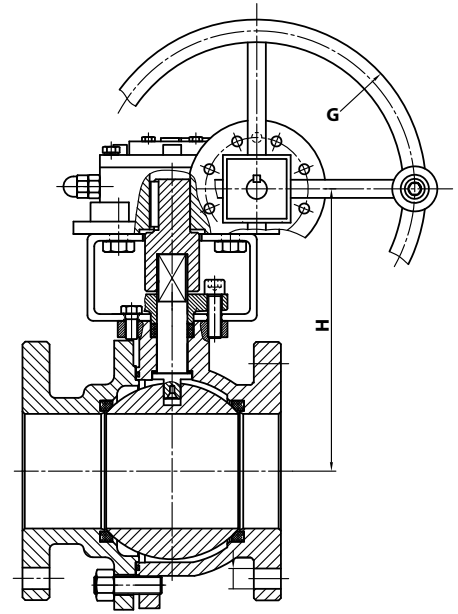
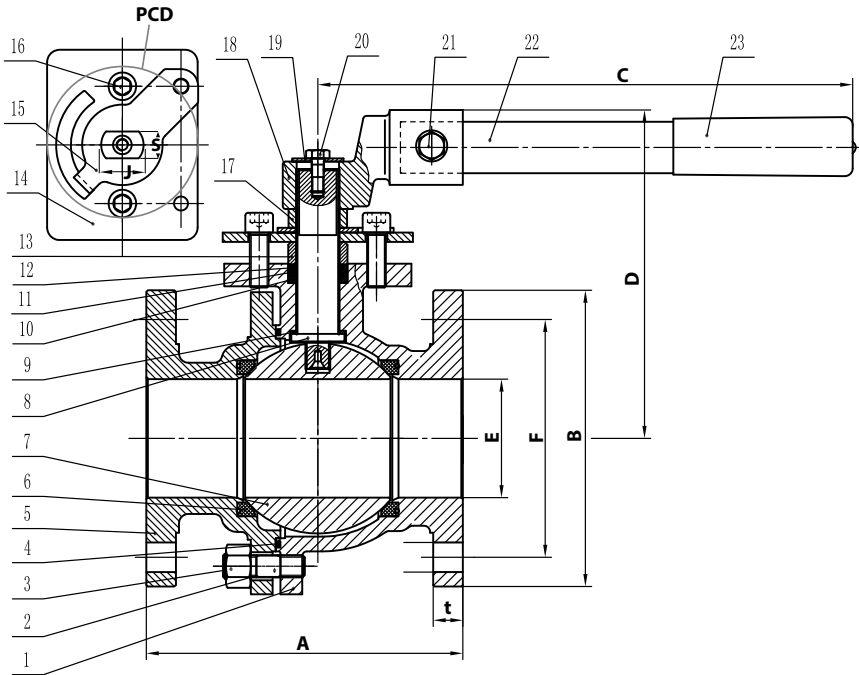
Kit Includes: Adapter, Pipe/Grip, Washer and Screw

SOFT GOODS REPAIR KIT

LF MODEL NUMBER	SIZE (IN.)
6PLF02801	2
6PLF02901	2-1/2
6PLF02001	3
6PLF02A01	4
6PLF02C01	6
6PLF02E01	8
6PLF02G01	10

Kit Includes: 2 Seats, Gasket and Packing

*LEAD FREE: The wetted surfaces of this product shall contain no more than 0.25% lead by weighted average. Complies with Federal Public Law 111-380. ANSI 3rd party approved and listed.



GEAR OPERATOR

DIMENSIONS

MODEL NUMBER	SIZE (IN.)	DIMENSIONS (IN./MM.)											NUMBER OF BOLTS			
		A	B	C	D	E (DIA.)	F (BCD)	T	G	H	4-M	PCD		S	J	
6PLF-208-01	2"	7.00	6.00	12.20	6.50	2.00	4.75	0.625				5/16-18 unc	2.756	0.47	0.79	4
		177.8	152.4	310	165.1	50.8	120.65	15.9	-	-			70	12	20	4
6PLF-209-01	2-1/2"	7.50	7.00	13.78	7.42	2.56	5.50	0.688				7/16-14 unc	4.016	0.67	1.06	4
		190.5	177.8	350	188.5	65.0	139.7	17.5	-	-			102	17	27	4
6PLF-200-01	3"	8.00	7.50	13.78	8.17	3.00	6.00	0.75				7/16-14 unc	4.016	0.67	1.06	4
		203.2	190.5	350	207.5	76.2	152.4	19.0	-	-			102	17	27	4
6PLF-20A-01	4"	9.00	9.00	15.75	9.00	4.00	7.50	0.937				7/16-14 unc	4.016	0.67	1.06	8
		228.6	228.6	400	228.7	101.6	190.5	23.8	-	-			102	17	27	8
6PLF-20C-01	6"	10.50	11.00	30.00	11.32	5.94	9.50	1.000				1/2-13 unc	4.921	1.06	1.73	8
		266.7	279.4	762	287.5	151.0	241.3	25.4	-	-			125	27	44	8
6PLF-20E-01*	8"	11.50	13.50	30.00	11.32	5.94	11.75	1.125	17.99	12.56		1/2-13 unc	4.921	1.06	1.73	8
		292.1	342.9	762	287.5	151.0	298.5	28.6	457	319			125	27	44	8
6PLF-20G-01*	10"	13.00	16.00	33.00	13.05	7.91	14.25	1.187	17.99	14.29		1/2-13 unc	4.921	1.06	1.73	12
		330.2	406.4	838	331.5	201.0	362.0	30.2	457	363			125	27	44	12

*Supplied with gear operator.