

621F-LFA

Class 250, Outside Screw & Yoke, Gate Valve

LEAD FREE



Job Name:	
Job Location:	
Engineer:	
Contractor:	
Tag:	
PO#:	
Rep.:	
Wholesale Dist.:	

DESCRIPTION

The Apollo International™ Model 621F-LFA Flanged Cast Iron Gate Valve provides full flow capabilities. The Model 621F-LFA Gate Valve can be reliably installed in plumbing and heating systems (or building service piping). Valves are MSS SP-70 compliant and include NSF lead free certifications.

FEATURES

- Compatible with ANSI 250# & 300# Flanges
- Full Port
- Bronze Mounted Seat Rings/Trim
- Solid Wedge
- Adjustable Graphite Stem Packing
- Outside Screw & Yoke
- Flanged Connection
- Bolted Bonnet
- Rugged Iron Hand Wheel
- Back Seat Protection
- FDA Food Grade Epoxy Powder Coat Finish

STANDARDS

- MSS SP-70 - Gray Iron Gate Valves Flanged and Threaded - Type 1
- ASME B16.10 - Face-to-Face and End-to-End Dimensions of Valves

APPROVALS

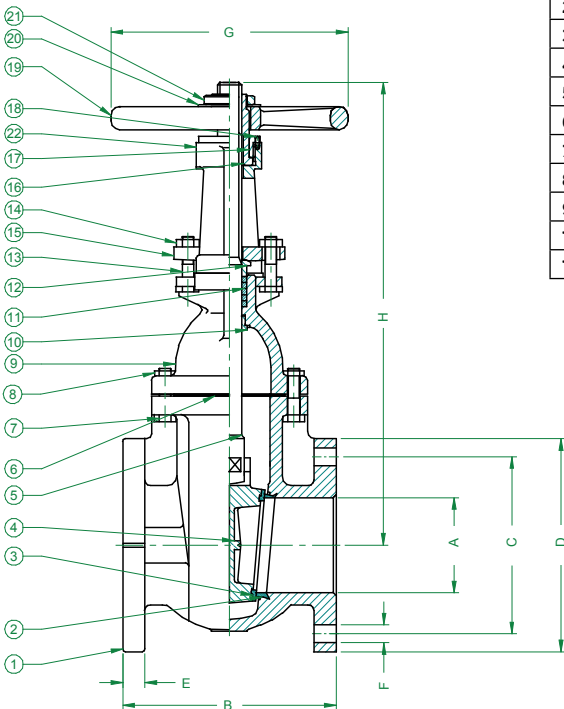
- NSF/ANSI 372 Lead Free
- NSF/AND 61 Water Quality

PERFORMANCE RATING

- Cold Working Pressure:
500 psi (34.5 bar) at 100°F (37.78°C)
- Saturated Steam:
250 psi (17.2 bar) at 406°F (207°C)
- Temperature Range: -20°F to 406°F Max

STANDARD MATERIALS LIST

1	Body	Cast Iron (ASTM A126 CL B)	12	Packing Gland	Cast Lead Free Bronze
2	Seat Rings	Cast Lead Free Bronze	13	Gland Follower Bolts	Carbon Steel (ASTM A307 B)
3	Wedge Face Rings	Cast Lead Free Bronze	14	Gland Follower Nuts	Carbon Steel (ASTM A307 B)
4	Wedge	Cast Iron (ASTM A126 CL B)	15	Gland Follower	Ductile Iron (ASTM A536 65-45-12)
5	Stem	Cast Lead Free Bronze	16	Yoke Bushing	Cast Lead Free Bronze
6	Body Gasket	Graphite	17	Yoke Bushing Nut	Cast Iron (ASTM A126 CL B)
7	Bolts	Carbon Steel (ASTM A307 B)	18	Screw	Carbon Steel (ASTM A307 B)
8	Nuts	Carbon Steel (ASTM A307 B)	19	Handwheel	Cast Iron (ASTM A126 CL B)
9	Bonnet	Cast Iron (ASTM A126 CL B)	20	Nameplate	Aluminum
10	Back Seat Bushing	Cast Lead Free Bronze	21	Handwheel Nut	Ductile Iron (ASTM A536 65-45-12)
11	Packing	PTFE	22	Yoke	Cast Iron (ASTM A126 CL B)



DIMENSIONS

PART NUMBER	SIZE (IN.)	DIMENSIONS (IN.)									WT. (LB.)	CV (TYP)
		A	B	C	D	E	F	G	H (OPEN)			
6GA218B1LFA	2"	2.00	8.50	5.00	6.50	0.88	0.75	7	14.96	44	328	
6GA219B1LFA	2.5"	2.50	9.50	5.88	7.50	1.00	0.88	7	16.93	57	482	
6GA210B1LFA	3"	3.00	11.12	6.62	8.25	1.12	0.88	8	19.09	71	744	
6GA21AB1LFA	4"	4.00	12.00	7.88	10.00	1.25	0.88	10	24.21	121	1316	
6GA21BB1LFA	5"	5.00	15.00	9.25	11.00	1.38	0.88	12	27.56	165	2130	
6GA21CB1LFA	6"	6.00	15.88	10.62	12.50	1.44	0.88	12	32.87	216	3176	
6GA21EB1LFA	8"	8.00	16.50	13.00	15.00	1.62	1.00	14	39.76	302	5692	
6GA21GB1LFA	10"	10.00	18.00	15.25	17.50	1.88	1.12	16	48.03	481	8972	
6GA21HB1LFA	12"	12.00	19.75	17.75	20.50	2.00	1.25	18	56.50	642	13352	

Cv = GPM @1 psi pressure drop, 60°F water
 *Cv values are estimates only
 **LFA models replace LF models

*LEAD FREE: The wetted surfaces of this product shall contain no more than 0.25% lead by weighted average. Complies with Federal Public Law 111-380. ANSI 3rd party approved and listed.