

## 620F-LFA

Class 250, Non-Rising Stem, Gate Valve

### LEAD FREE



Job Name:	
Job Location:	
Engineer:	
Contractor:	
Tag:	
PO#:	
Rep:	
Wholesale Dist.:	

### DESCRIPTION

The Apollo International™ Model 620F-LFA Flanged Cast Iron Gate Valve provides full flow capabilities. The Model 620F-LFA Gate Valve can be reliably installed in plumbing and heating systems (or building service piping). Valves are MSS SP-70 compliant and include NSF lead free certifications.

### FEATURES

- Compatible with ANSI 250# & 300# Flanges
- Full Port
- Bronze Mounted Seat Rings/Trim
- Solid Wedge
- Adjustable Graphite Stem Packing
- Non-Rising Stem
- Flanged Connection
- Bolted Bonnet
- Rugged Iron Hand Wheel
- Back Seat Protection
- FDA Food Grade Epoxy Powder Coat Finish

### STANDARDS

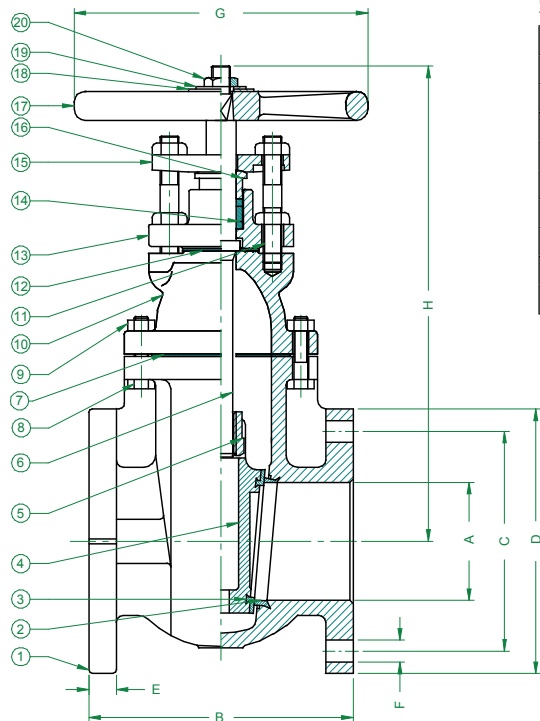
- MSS SP-70 - Gray Iron Gate Valves Flanged and Threaded - Type 1
- ASME B16.10 - Face-to-Face and End-to-End Dimensions of Valves

### APPROVALS

- NSF/ANSI 372 Lead Free
- NSF/AND 61 Water Quality

### PERFORMANCE RATING

- Cold Working Pressure: 500 psi (34.5 bar) at 100°F (37.78°C)
- Saturated Steam: 250 psi (17.2 bar) at 406°F (207°C)
- Temperature Range: -20°F to 406°F Max



### STANDARD MATERIALS LIST

1	Body	Cast Iron (ASTM A 126 CL B)	11	Gland Follower Bolts	Carbon Steel (ASTM A307 B)
2	Seat Rings	Cast Lead Free Bronze	12	Stuffing Box Gaskets	Graphite
3	Wedge Face Rings	Cast Lead Free Bronze	13	Stuffing Box	Cast Iron (ASTM A 126 CL B)
4	Wedge	Cast Lead Free Bronze	14	Packing	PTFE
5	Wedge Nut	Cast Lead Free Bronze	15	Gland Follower	Ductile Iron (ASTM A536 65-45-12)
6	Stem	Cast Lead Free Bronze	16	Packing Gland	Cast Lead Free Bronze
7	Body Gasket	Graphite	17	Handwheel	Cast Iron (ASTM A 126 CL B)
8	Bolts	Carbon Steel (ASTM A307 B)	18	Nameplate	Aluminum
9	Nuts	Carbon Steel (ASTM A307 B)	19	Washer	Carbon Steel (ASTM A307 B)
10	Bonnet	Cast Iron (ASTM A 126 CL B)	20	Handwheel Nut	Ductile Iron (ASTM A536 65-45-12)

### DIMENSIONS

PART NUMBER	SIZE (IN.)	DIMENSIONS (IN.)								WT. (LB.)	CV (TYP)
		A	B	C	D	E	F	G	H (OPEN)		
6GA208B1LFA	2"	2.00	8.50	5.00	6.50	0.88	0.75	7	11.28	42	328
6GA209B1LFA	2.5"	2.50	9.50	5.88	7.50	1.00	0.88	7	12.72	55	482
6GA200B1LFA	3"	3.00	11.12	6.62	8.25	1.12	0.88	8	13.31	66	744
6GA20AB1LFA	4"	4.00	12.00	7.88	10.00	1.25	0.88	10	16.18	115	1316
6GA20CB1LFA	6"	6.00	15.88	10.62	12.50	1.44	0.88	12	22.00	205	3176
6GA20EB1LFA	8"	8.00	16.50	13.00	15.00	1.62	1.00	14	25.59	278	5692
6GA20GB1LFA	10"	10.00	18.00	15.25	17.50	1.88	1.12	16	30.31	456	8972
6GA20HB1LFA	12"	12.00	19.75	17.75	20.50	2.00	1.25	18	33.90	633	13352

Cv = GPM @ 1 psi pressure drop, 60°F water

\*Cv values are estimates only

\*\*LFA models replace LF models

\*LEAD FREE: The wetted surfaces of this product shall contain no more than 0.25% lead by weighted average. Complies with Federal Public Law 111-380. ANSI 3rd party approved and listed.