

data sheet

77F-200 series

full port solder end brass ball valve 1/2" - 2"



description

The "Apollo"® 77F-200 series 1/2" to 2" is a full port forged brass ball valve suitable for a wide range of plumbing and heating applications. This valve is designed to be soft soldered into lines without disassembly. Proudly manufactured in our South Carolina facilities.

size range

- 1/2" - 2"

connections

- solder

configurations

- 77FLF-200 series - standard

approvals

- MSS SP-110
- IAPMO/ANSI Z1157
- FM 1140 fire protection trim & drain (1/2" - 2")
- Buy American Act (BAA)
- Build America Buy America (BABA) Act

features

- heavy pattern forged design
- corrosion resistant materials
- full-port flow
- premium RPTFE seats and packing
- adjustable stem packing
- blowout-proof stem
- 2 1/2" - 4" sizes now feature 316 stainless steel ball and stem (standard)
- silicone free assembly
- 100% factory tested
- manufactured in the USA - BAA and BABA compliant

component	material
body	brass, ASTM B283-C37700
retainer	brass ASTM B16, C36000 or B283, C37700
ball	stainless steel, ASTM A276-316
seat (2)	RPTFE
stem	brass ASTM B16, C36000
gland	brass, ASTM B16, C36000
stem packing	RPTFE
handle	plated steel/insulated polyvinyl
nut	corrosion resistant plated steel

performance rating

CWP	SWP	temperature	vacuum service
600 psig	150 psig	350°F (maximum temperature)	29 in. Hg

****not intended for potable water in USA**



this specification is provided for reference only. we reserve the right to change any portion of this specification without notice and without incurring obligation to make such changes to Aalberts integrated piping systems products previously or subsequently sold.

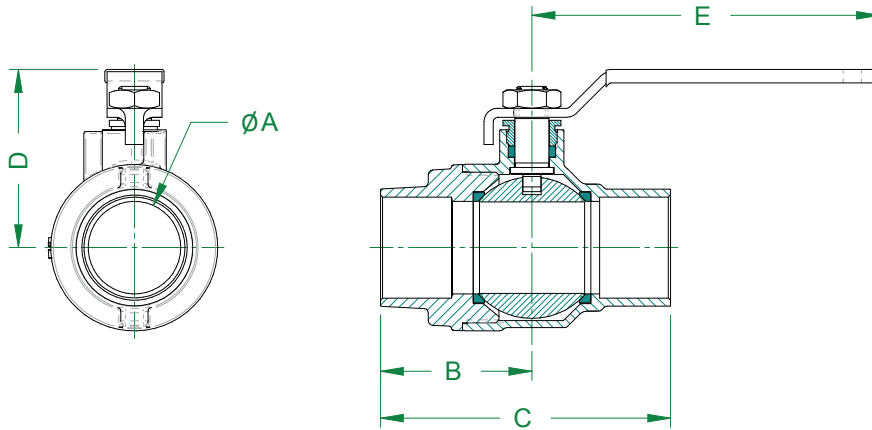
Aalberts integrated piping systems

10715 Sikes Place / suite 200 / Charlotte / NC / 28277

aalberts-ips.us

job name	
job location	
engineer	
contractor	
tag	
PO#	
rep	
wholesaler dist	

data sheet



dimensions

part number	size	a	b	c	d	e	f	weight
77F-203-01	½"	0.50"	1.37"	2.37"	1.66"	2.85"	0.50"	0.40 lbs
77F-204-01	¾"	0.75"	1.72"	3.13"	1.91"	3.86"	0.75"	1.90 lbs
77F-205-01	1"	1.00"	2.01"	3.73"	2.11"	3.86"	0.91"	1.30 lbs
77F-206-01	1 ¼"	1.25"	2.07"	3.97"	2.44"	4.75"	0.97"	2.00 lbs
77F-207-01	1 ½"	1.50"	2.42"	4.69"	2.91"	5.42"	1.09"	3.30 lbs
77F-208-01	2"	2.00"	2.91"	5.82"	3.69"	7.77"	1.34"	5.60 lbs

options

option	component	size
(-01)	standard lever	all
(-04)	2 ¼" stem extension (carbon steel, zinc plated)	½" - 2 ½"
(-07)	steel tee handle	½" - 2"
(-10)	stainless steel lever & nut	½" - 2"
(-11)	Therma-Seal™ insulating tee handle	½" - 2"
(-27)	ss latch-lock lever & nut (standard configuration)	½" - 2 ½"

data sheet

77F-240 series

full port solder end brass ball valve 2 1/2" - 4"



description

The "Apollo"® 77F-200 series 2 1/2" to 4" is a full port forged brass ball valve suitable for a wide range of plumbing and heating applications. This valve is designed to be soft soldered into lines without disassembly. Proudly manufactured in our South Carolina facilities.

size range connections configurations

- 2 1/2" to 4"
- solder
- 77FLF-200 series - standard

approvals

- MSS SP-110
- IAPMO/ANSI Z1157
- FM 1140 fire protection trim & drain (1/2" - 2")
- Buy American Act (BAA)
- Build America Buy America (BABA) Act

features

- heavy pattern forged design
- corrosion resistant materials
- full-port flow
- premium RPTFE seats and packing
- adjustable stem packing
- blowout-proof stem
- 316 stainless steel ball and stem (standard)
- silicone free assembly
- 100% factory tested
- manufactured in the USA - BAA and BABA compliant

component	material
body	brass, ASTM B283-C37700
retainer	brass ASTM B16, C36000 or B283, C37700
ball	stainless steel, ASTM A276-316
seat (2)	RPTFE
stem	stainless steel, ASTM A276-316 (2 1/2" - 4")
gland	brass, ASTM B16, C36000
stem packing	RPTFE
handle	plated steel/insulated polyvinyl
nut	corrosion resistant plated steel

performance rating

CWP	SWP	temperature	vacuum service
400 psig	150 psig	350°F (maximum temperature)	29 in. Hg

****not intended for potable water in USA**



this specification is provided for reference only. we reserve the right to change any portion of this specification without notice and without incurring obligation to make such changes to Aalberts integrated piping systems products previously or subsequently sold.

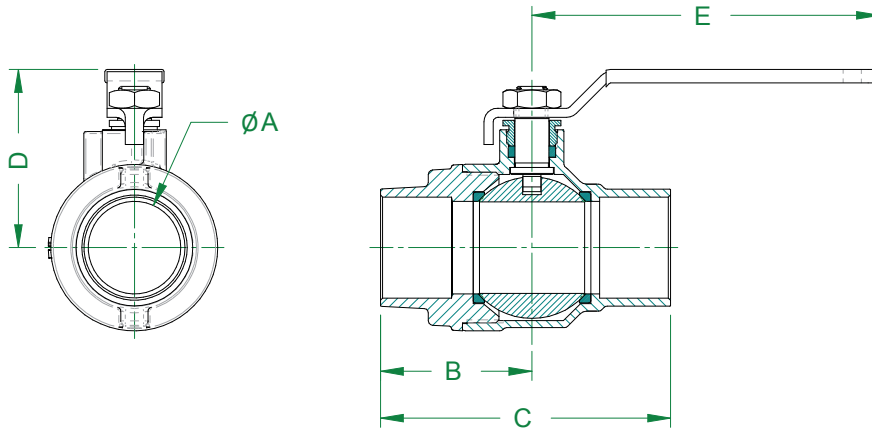
Aalberts integrated piping systems

10715 Sikes Place / suite 200 / Charlotte / NC / 28277

aalberts-ips.us

job name	
job location	
engineer	
contractor	
tag	
PO#	
rep	
wholesaler dist	

data sheet



dimensions

part number	size	a	b	c	d	e	f	weight
77F-209-01	2 ½"	2.50"	3.68"	7.05"	4.14"	7.77"	1.48"	11.60 lbs
77F-240-01	3"	3.00"	4.26"	8.15"	5.03"	9.92"	1.67"	19.30 lbs
77F-24A-01	4"	4.00"	4.82"	9.57"	5.70"	14.78"	2.16"	25.60 lbs

options

option	component	size
(-01)	standard lever	all
(-04)	2 ¼" stem extension (carbon steel, zinc plated)	2 ½" only
(-27)	ss latch-lock lever & nut (standard configuration)	2 ½" only