

36ELF Series

Pressure Reducing Valve

LEAD FREE



Job Name:	
Job Location:	
Engineer:	
Contractor:	
Tag:	
PO#:	
Rep:	
Wholesale Dist.:	

DESCRIPTION

The new large diameter Apollo 36ELF Series Lead Free* Pressure Reducing Valve is designed to conserve water and protect water distribution systems by automatically reducing elevated supply pressures. The dezincification resistant bronze body, stainless steel adjusting screw and dielectric polymer cage provide maximum corrosion resistance. Designed for easy in-line servicing with simple cartridge removal.

FEATURES

- Balanced Piston Design
- SS Adjusting Screw & Nut
- Sealed Cage for Vault Installations
- Built-in Thermal Expansion Bypass
- Large Area Integral Stainless Steel Strainer
- Modular Seat Disc and Strainer Cartridge
- Control Pressure Ranges:
15-75 psi and 75-150 psi
- High Flow / High Efficiency Design
- NPT & Solder Connections
- Factory Tested and Preset at 60 psi
- Single Union, Double Union and Less Union Configurations Available
- 100% Manufactured in USA - ARRA Compliant**

PERFORMANCE RATING

- Maximum Supply Pressure: 400 psig
- Working Temperature Range: 33°F - 180°F

APPROVALS

- NSF/ANSI 372 Lead Free
- NSF/ANSI/CAN 61 Water Quality
- ASSE 1003
- IAPMO/UPC
- CSA B356

OPTIONS

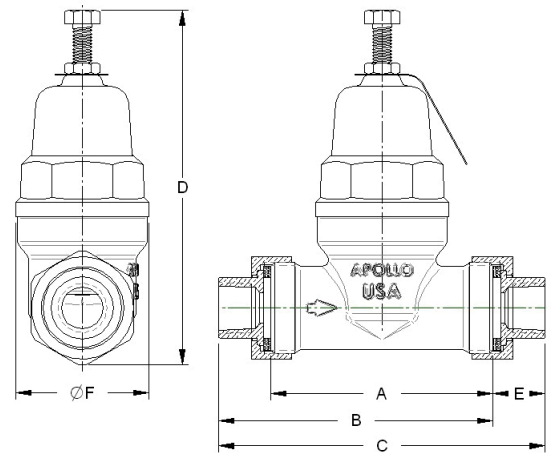
- (-B) - Bronze Cap NEW!**
- (-P) - Tapped w/ Plug
- (-G) - Tapped w/ Gauge
- (-03) - High Pressure 75-150 psi
- (36E) - w/ Standard Materials for Non-Potable Applications

STANDARD MATERIALS LIST

BODY	Lead Free* Bronze, UNS 89836
UNION NUT	Brass, ASTM B16
TAILPIECE	Lead Free* Brass, UNS C27451
SCREEN	Stainless Steel
CAP	Noryl
DIAPHRAGM	NSF Grade EPDM
SEAT DISC	NSF Grade EPDM
ADJUSTING SCREW/NUT	Stainless Steel
SPRING	Stainless Steel, ASTM A228
O-RINGS	NSF Grade EPDM

DIMENSIONS

SIZE (IN.)	DIMENSIONS (IN.)						SINGLE UNION WT. (LB.)	DOUBLE UNION WT. (LB.)
	A	B	C	D	E	F		
THREADED								
1-1/4"	5.5	6.62	7.74	10	1.12	3.38	7.22	8.34
1-1/2"	5.5	6.8	8.1	10	1.3	3.38	7.61	8.92
2"	5.5	6.93	8.36	10	1.43	3.38	9.2	11.6
SOLDER								
1-1/4"	5.5	6.62	7.74	10	1.12	3.38	7.22	8.34
1-1/2"	5.5	6.8	8.1	10	1.3	3.38	7.61	8.92
2"	5.5	6.93	8.36	10	1.43	3.38	9.2	11.6
PRESS (WITH UNIONS)								
1-1/4"	5.5	6.80	8.10	10	1.30	3.38	N/A	9.4
1-1/2"	5.5	7.22	8.94	10	1.72	3.38	N/A	9.5
2"	5.5	7.44	9.38	10	1.94	3.38	N/A	11.6
PRESS (DIRECT CONNECTORS)								
1-1/4"	5.5	N/A	7.98	10	1.24	3.38	N/A	9.4
1-1/2"	5.5	N/A	8.72	10	1.61	3.38	N/A	9.5
2"	5.5	N/A	9.12	10	1.81	3.38	N/A	11.6



*LEAD FREE: The wetted surfaces of this product shall contain no more than 0.25% lead by weighted average. Complies with Federal Public Law 111-380. ANSI 3rd party approved and listed.

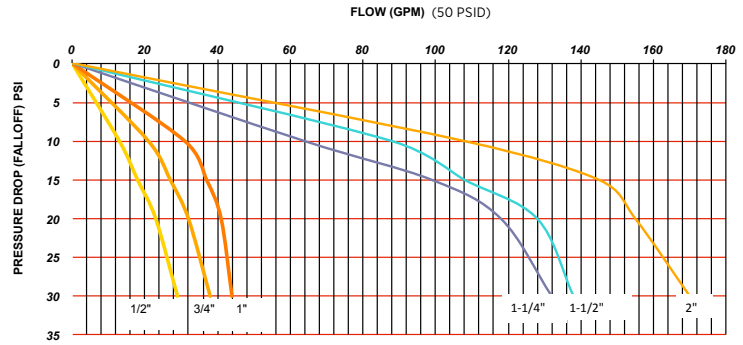
36ELF Series

Pressure Reducing Valve

LEAD FREE

FLOW CURVE

PIPE SIZE	FALL-OFF (PSI)	PRESSURE DIFFERENTIAL (PSI)		
		25	50	75
WATER CAPACITY (GPM)				
1-1/4"	10	35	47	59
	15	58	77	96
	20	85	113	141
	30	99	132	165
1-1/2"	10	66	88	110
	15	81	108	135
	20	96	128	160
	30	104	138	172
2"	10	81	108	135
	15	109	145	181
	20	116	155	194
	30	128	170	212



Pressure Differential is the difference between the inlet supply pressure and the adjusted outlet pressure.
Pressure Falloff is the reduction in downstream pressure from the static (set) pressure as the flow increases through the valve.

PART NUMBER MATRIX

36ELF 36E	1	X	X	X	X	X	X
SERIES	STYLE	UNION	SIZE	OPTION	PRESSURE RANGE	CONNECTION	OPTION
36ELF (LEAD FREE)	1	0 - NO UNION (NPT)	6 - 1-1/4"	0 - NO GAUGE	1 - 15-75 PSIG	T - FNPT THREAD	BLANK - STANDARD POLYMER CAP
36E		1 - SINGLE UNION	7 - 1-1/2"	P - TAPPED & PLUGGED	3 - 75-150 PSIG	S - SOLDER	B - BRONZE CAP
		2 - DOUBLE UNION	8 - 2"	G - W/ GAUGE		PR - PRESS	Y - W/ WYE STRAINER