

34DLF Series

Single Fixture Temperature Controller

LEAD FREE



Job Name:	
Job Location:	
Engineer:	
Contractor:	
Tag:	
PO#:	
Rep:	
Wholesale Dist.:	

DESCRIPTION

The Apollo 34DLF Series Mini Thermostatic Mixing Valve is designed for ASSE 1070 "Point of Use" single fixture temperature control applications, using proven ASTM grade lead free materials. These valves will hold a desired temperature within $\pm 3^\circ\text{F}$.

FEATURES

- Dezincification Resistant Lead Free* Bronze Body
- Locking Control Knob
- 120°F Temperature Limit Stop
- Integral Check Valves
- 3/8" Compression Tube / Braided Hose Connection
- Hot / Cold Water Failure Protection
- Single Outlet design for Sensor Faucets
- Bypass Fitting Option for Dual Control Faucets
- Satin Chrome Plating Option
- **Made in USA - ARRA compliant**

OPTIONS

- Satin Chrome Plated Finish
- Double Outlet Cold Water Bypass

APPROVALS

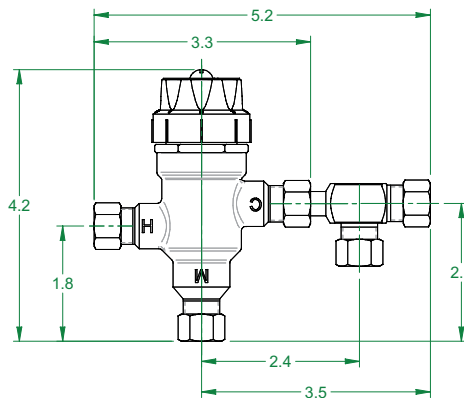
- ASSE 1070 - Temperature Actuated Mixing Valve for Hot Water Distribution Systems
- CSA B125.3 - Plumbing Supply Fittings
- NSF/ANSI 372 - Lead Free
- NSF/ANSI/CAN 61 - Water Quality

STANDARD MATERIALS LIST

BODY	ASTM B584 C89836 LF Bronze
SHUTTLE	Modified PPO Noryl®
O-RING	Chloramine Resistant EPDM
THERMOSTAT	Copper/Wax filled
SPRING	ASTM A313 Stainless Steel
HANDLE	ABS Thermoplastic

DIMENSIONS

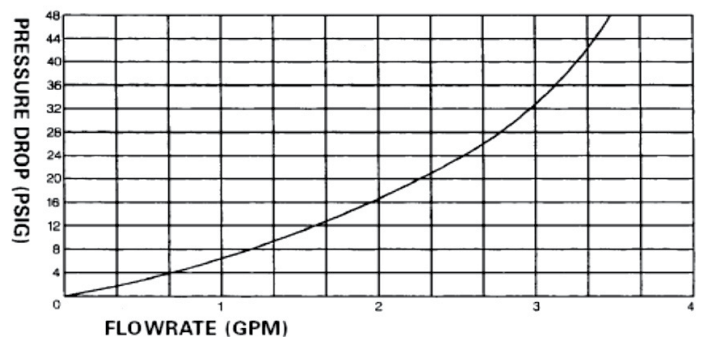
PART NUMBER	DESCRIPTION	WEIGHT (LB.)
34DLF-302-01	3/8" Single Out Bronze	0.82
34DLF-302-17	3/8" Single Out Chrome	0.82
34DLF-302-B1	3/8" Double Out Bronze	1.0
34DLF-302-B17	3/8" Double Out Chrome	1.0



PERFORMANCE RATING

- Minimum Supply Pressure: 30psi (207 kPa)
- Minimum HW Inlet/Outlet Temp. Differential: 15°F
- Maximum HW/CW Pressure Differential: 25%
- Hot Inlet Temperature: 120°F-200°F (49°C-93°C)
- Cold Inlet Temperature: 38°F-80°F (3.3°C-27°C)
- Outlet Temperature Control: 80°F-120°F (27°C-49°C)
- Maximum Pressure: 150psi (10.3 bar)
- Flow Rates: 0.5* - 3.2 GPM

*Must use recirculation loop for <1.0 GPM flow



*LEAD FREE: The wetted surfaces of this product shall contain no more than 0.25% lead by weighted average. Complies with Federal Public Law 111-380. ANSI 3rd party approved and listed.