

34CLF Series

Thermostatic High Capacity Mixing Valve

LEAD FREE



Job Name:	
Job Location:	
Engineer:	
Contractor:	
Tag:	
PO#:	
Rep:	
Wholesale Dist.:	

DESCRIPTION

The Apollo 34CLF Series Mixing Valves are ASSE 1017 approved thermostatic mixing valves designed for high capacity commercial and institutional "point of source" applications. Featuring ease of maintenance and "Best in Class" flow rates, they provide reliable temperature control for large hot water distribution and hydronic heating systems. Patent # US 6,328,219.

FEATURES

- Standard Mix Temp. Range (-01) & optional Hydronic High Temp. (-H1)
- Sizes 3/4", 1", 1-1/4", 1-1/2", 2" FNPT
- Patented "Finger Grip" Pads for Easy Inline Shuttle Maintenance
- Hot & Cold Water Supply Failure Protection
- Certified 3rd Party Lead Free
- **Made in USA - ARRA compliant**

OPTIONS

- -01 (Standard Temp 90°F - 140°F)
- -H1 (Hydronic, High Temps/Non-ASSE 130°F - 180°F)
- Bronze Wye Strainer - Refer to 59LF Series

APPROVALS

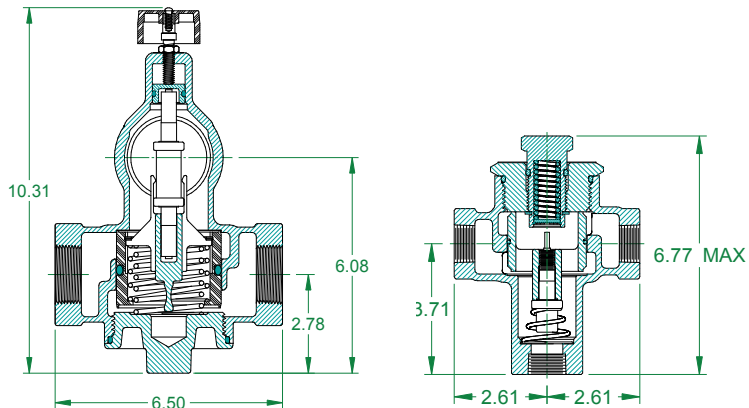
- ASSE 1017 - Temperature Actuated Mixing Valve for Hot Water Distribution Systems
- CSA B125.3 - Plumbing Supply Fittings
- NSF/ANSI 372 - Lead Free

STANDARD MATERIALS LIST

BODY	LF Bronze ASTM C89836
THERMOSTAT	LF Copper/Brass (Wax Filled)
SHUTTLE CARTRIDGE	Glass Filled Noryl
STEM	LF Brass ASTM C27451
RETAINER	1/2" - 1": ASTM C27451 1-1/4" - 2": ASTM C89836
SPRING	Stainless Steel

DIMENSIONS

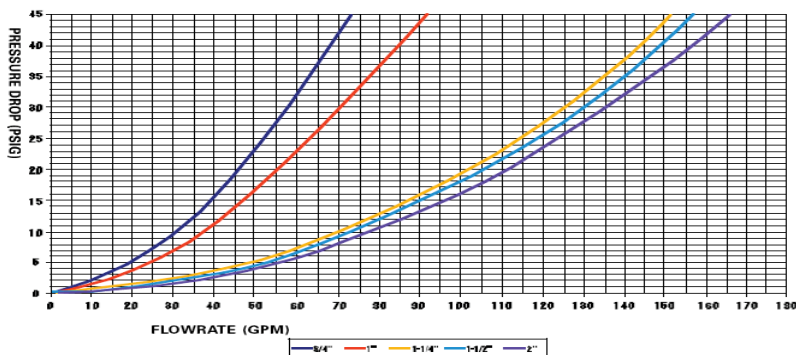
PART NUMBER	SIZE (IN.)
34CLF-104-01	3/4" FNPT
34CLF-105-01	1" FNPT
34CLF-106-01	1-1/4" FNPT
34CLF-107-01	1-1/2" FNPT
34CLF-108-01	2" FNPT



PERFORMANCE RATING

- Minimum Flow Rate: 1.0 GPM*
- Maximum Pressure: 150 psig
- Maximum Temperature: 200°F

*when the valve is installed at or near hot water source w/ recirculated tempered water with a continuously operating pump.



*LEAD FREE: The wetted surfaces of this product shall contain no more than 0.25% lead by weighted average. Complies with Federal Public Law 111-380. ANSI 3rd party approved and listed.