

# 34ALF Series

Mixing Valve

## LEAD FREE



Job Name:	
Job Location:	
Engineer:	
Contractor:	
Tag:	
PO#:	
Rep:	
Wholesale Dist.:	

### DESCRIPTION

The Apollo 34ALF Series Thermostatic Master Mixing Valves are designed for ASSE 1017 "Point of Source" approved applications. They provide hot water temperature control of potable and non-potable hot water distribution systems. The valves are built using lead Free\* materials and are available with a variety of options and end connections.

### FEATURES

- Superior Thermostatic Element Technology For Optimal Performance, Reliability and Accuracy
- Integral Inlet Strainers and Check Valves are Standard to Protect Against Cross-Flow and Foreign Particles in the Piping System
- Thermostat Over-Temperature Control
- Maximum Temperature Limit Option
- Fingertip Temperature Control
- Cold or Hot Water Supply Failure Shut-Off Protection
- Multiple Connection Options to Fit Your Specific Needs
- High Temperature Version For Hydronic/Radiant Heating Applications
- Lead Free Construction Certified: 0.25% Lead Max
- **Made in USA - ARRA Compliant**

### OPTIONS

- (-B) Temperature Limit Stop (120° F max)
- High Temp Range (H) Radiant Heat Application 120°F - 180°F (Not ASSE Certified) See 34A-H Submittal Sheet

### APPROVALS

- ASSE 1017 - Temperature Actuated Mixing Valve for Hot Water Distribution Systems
- CSA B125.3 - Plumbing Supply Fittings
- NSF/ANSI 372 - Lead Free

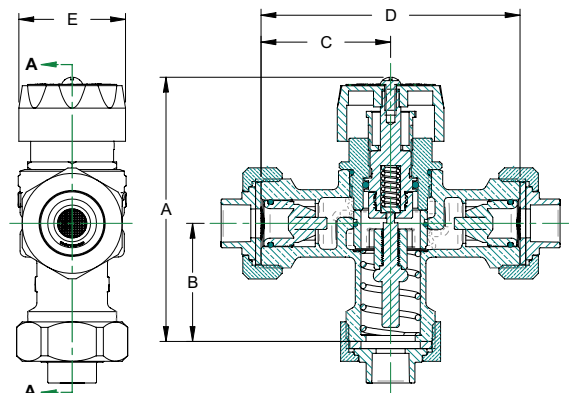
### STANDARD MATERIALS LIST

<b>BODY</b>	C89836 Lead Free* Bronze
<b>SHUTTLE</b>	Noryl* Modified PPO
<b>SENSOR</b>	Copper/Wax filled
<b>O-RING</b>	Chloramine Resistant EPDM
<b>SPRING</b>	ASTM A313 Stainless Steel
<b>CAP</b>	ABS

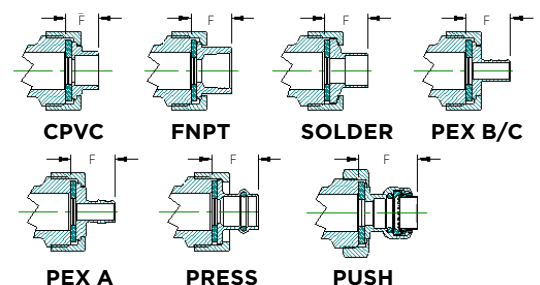
### DIMENSIONS

PART NO.	CONNECTION	SIZE (IN.)	DIMENSIONS (IN.)						UNIT WT. (LB.)
			A	B	C	D	E	F	
34ALF213T	Thread - FNPT	1/2	4.52	2.11	2.28	4.56	0.95	0.95	2.75
34ALF213S	Solder		4.52	2.11	2.28	4.56	0.93	0.93	2.54
34ALF213C	CPVC		4.52	2.11	2.28	4.56	0.70	0.70	2.39
34ALF213X2	PEX A		4.52	2.11	2.28	4.56	1.20	1.20	2.54
34ALF213X	PEX B/C		4.52	2.11	2.28	4.56	1.02	1.02	2.54
34ALF213PR	Press		4.52	2.11	2.28	4.56	0.99	0.99	2.60
34ALF213P	Push		4.52	2.11	2.28	4.56	1.23	1.23	2.94
34ALF214T	Thread - FNPT	3/4	4.52	2.11	2.28	4.56	0.93	0.93	2.84
34ALF214S	Solder		4.52	2.11	2.28	4.56	0.93	0.93	2.60
34ALF214C	CPVC		4.52	2.11	2.28	4.56	0.92	0.92	2.42
34ALF214X2	PEX A		4.52	2.11	2.28	4.56	1.20	1.20	2.60
34ALF214X	PEX B/C		4.52	2.11	2.28	4.56	1.25	1.25	2.60
34ALF214PR	Press		4.52	2.11	2.28	4.56	1.14	1.14	2.65
34ALF214P	Push		4.52	2.11	2.28	4.56	1.78	1.78	3.08
34ALF215T	Thread - FNPT	1	4.52	2.11	2.28	4.56	1.06	1.06	2.93
34ALF215S	Solder		4.52	2.11	2.28	4.56	1.06	1.06	2.66
34ALF215C	CPVC		4.52	2.11	2.28	4.56	1.16	1.16	2.45
34ALF215X2	PEX A		4.52	2.11	2.28	4.56	1.17	1.17	2.66
34ALF215X	PEX B/C		4.52	2.11	2.28	4.56	1.55	1.55	2.66
34ALF215PR	Press		4.52	2.11	2.28	4.56	1.18	1.18	2.71
34ALF215P	Push		4.52	2.11	2.28	4.56	1.96	1.96	3.29

\* PEX A (ASTM F1960) Cold Expansion PEX  
 \*\* PEX B/C (ASTM F1807) Crimp PEX



### TAILPIECES



\*LEAD FREE: The wetted surfaces of this product shall contain no more than 0.25% lead by weighted average. Complies with Federal Public Law 111-380. ANSI 3rd party approved and listed.

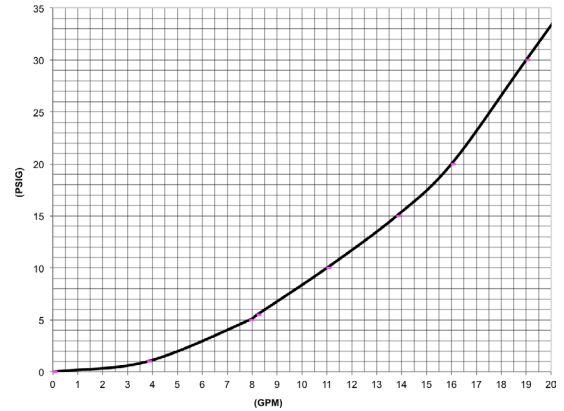
# 34ALF Series

Mixing Valve

## LEAD FREE

### PERFORMANCE RATING

- Maximum Working Pressure: 150 psig (1034 kPa)
- Maximum Working Temperature: 210°F (99°C)
- Cold Water Inlet Temperature Range: 39°-80°F (4° - 27°C)
- Hot Water Inlet Temperature Range: 120° - 200°F (49° - 82°C)
- Minimum Flow Rate: 1/2 gpm (1.9 lpm)
- Mixed Water Temperature Range - Standard: 85° - 120°F
- Mixed Water Temperature Range - High: 120° - 180°F
- Mixed Water Temperature Tolerance: ±5°F (1.7°C)
- Flow Rate at 30 psig (138 kPa): 19 gpm (64 lpm)
- Maximum Pressure Differential Between Hot & Cold: 25%



SIZE (IN.)	CONNECTION	STANDARD TEMP (85° - 140°F)	CAL. MAX. TEMP (120°F)	RADIANT
		PART NO.	PART NO.	HIGH TEMP (120° - 180°F)* PART NO.
1/2"	Solder inlets x Solder outlet	34ALF213S	34ALF213BS	MVAHS12LF
	FNPT inlets x FNPT outlet	34ALF213T	34ALF213BT	MVAH12LF
	CPVC inlets x CPVC outlet	34ALF213C	34ALF213BC	-
	PEX A inlets x PEX A outlet	34ALF213X2	34ALF213BX2	-
	PEX B/C inlets x PEX B/C outlet	34ALF213X	34ALF213BX	-
	Solder inlets x CPVC outlet	34ALF213SC	34ALF213BSC	-
	FNPT inlets x CPVC outlet	34ALF213TC	34ALF213BTC	-
	PEX B/C inlets x CPVC outlet	34ALF213XC	34ALF213BXC	-
	CPVC inlets x PEX B/C outlet	34ALF213CX	34ALF213BCX	-
	PRESS inlets x PRESS outlet	34ALF213PR	34ALF213BPR	-
	PUSH inlets x PUSH outlet	34ALF213P	-	-
3/4"	Solder inlets x Solder outlet	34ALF214S	34ALF214BS	MVAHS34LF
	FNPT inlets x FNPT outlet	34ALF214T	34ALF214BT	MVAH34LF
	CPVC inlets x CPVC outlet	34ALF214C	34ALF214BC	-
	PEX A inlets x PEX A outlet	34ALF214X2	34ALF214BX2	-
	PEX B/C inlets x PEX B/C outlet	34ALF214X	34ALF214BX	-
	Solder inlets x CPVC outlet	34ALF214SC	34ALF214BSC	-
	FNPT inlets x CPVC outlet	34ALF214TC	34ALF214BTC	-
	PEX B/C inlets x CPVC outlet	34ALF214XC	34ALF214BXC	-
	CPVC inlets x PEX B/C outlet	34ALF214CX	34ALF214BCX	-
	PRESS inlets x PRESS outlet	34ALF214PR	34ALF214BPR	-
	PUSH inlets x PUSH outlet	34ALF214P	-	-
1"	Solder inlets x Solder outlet	34ALF215S	34ALF215BS	MVAHS1LF
	FNPT inlets x FNPT outlet	34ALF215T	34ALF215BT	MVAH1LF
	CPVC inlets x CPVC outlet	34ALF215C	34ALF215BC	-
	PEX A inlets x PEX A outlets	34ALF215X2	34ALF215BX2	-
	PEX B/C inlets x PEX B/C outlets	34ALF215X	34ALF215BX	-
	Solder inlets x CPVC outlet	34ALF215SC	34ALF215BSC	-
	FNPT inlets x CPVC outlet	34ALF215TC	34ALF215BTC	-
	PEX B/C inlets x CPVC outlet	34ALF215XC	34ALF215BXC	-
	CPVC inlets x PEX B/C outlet	34ALF215CX	34ALF215BCX	-
	PRESS inlets x PRESS outlet	34ALF215PR	34ALF215BPR	-
	PUSH inlets x PUSH outlet	34ALF215P	-	-

\* High temperature models are not ASSE certified.

\*\* PEX A (ASTM F1960) Cold Expansion PEX

\*\*\* PEX B/C (ASTM F1807) Crimp PEX