



Job Name:	
Job Location:	
Engineer:	
Contractor:	
Tag:	
PO#:	
Rep:	
Wholesale Dist.:	

DESCRIPTION

The Apollo® YSS (612) Stainless Steel Wye Strainers are designed with large area screens to protect piping systems and process equipment from unwanted foreign particles with minimum pressure loss.

FEATURES

- Body is ASTM A351 Stainless Steel Grade CF8M
- 20 Mesh Screen
- Gasket 304 SS/Graphite
- Screen cover is NPT Tapped for Customer Supplied Plug or Blow-Off Valve

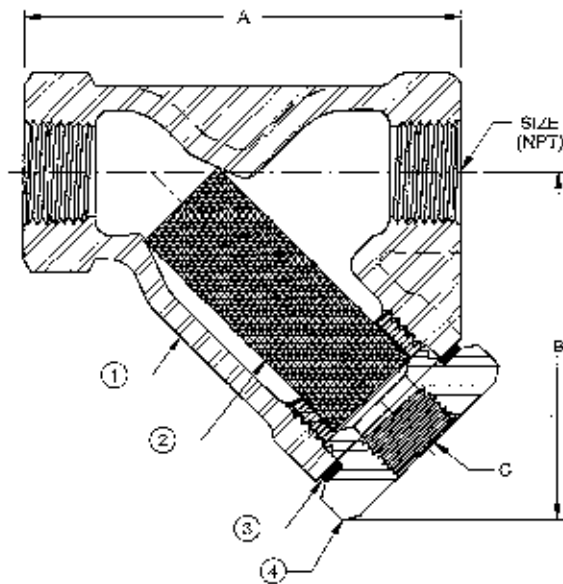
PERFORMANCE RATING

- Working Pressure:
CWP: 1480 psi
SWP: 600 psi
- Maximum Temperature: 488° F

STANDARD MATERIALS LIST

BODY	Stainless Steel, CF8M
CAP	Stainless Steel, 316
SCREEN	Stainless Steel, 304
GASKET	Stainless Steel, 304

DIMENSIONS



PART NUMBER	SIZE (IN.)	DIMENSIONS (IN.)		BLOW-OFF NPT	WT. (LB.)	NET SCREEN AREA (IN. ²)
		A	B			
612-033-A1	1/2	3.44	2.76	3/8	2	5.4
612-034-A1	3/4	4.49	3.57	3/8	3.75	8.7
612-035-A1	1	4.88	3.68	1/2	4	12.7