



# 95A SERIES Stop and Waste Ball Valve

<b>Job Name:</b>	<b>Contractor:</b>
<b>Job Location:</b>	<b>P.O. Number:</b>
<b>Engineer:</b>	<b>Representative:</b>
<b>Tag:</b>	<b>Wholesale Distributor:</b>

## DESCRIPTION

Built for reliability with maximum economy, these Apollo International® full port ball valves with forged brass bodies are ideal for any plumbing or hydronic systems where system draining is required.

## FEATURES

- Full-Port Design
- Drain Port with Finger Tight Shut-off
- ½" through 1" Sizes
- Blow-out Proof Stem Design
- Adjustable Stem Packing Nut
- Silicone Free
- Threaded or Solder Connection
- Fast, Quarter-turn Operation

## PERFORMANCE RATING

- Maximum Rated Pressure: 600 psi CWP
- Maximum Working Temperature: 300F (148.8°C)
- Suitable for Water, Oil, and Gas

## DESIGN STANDARDS

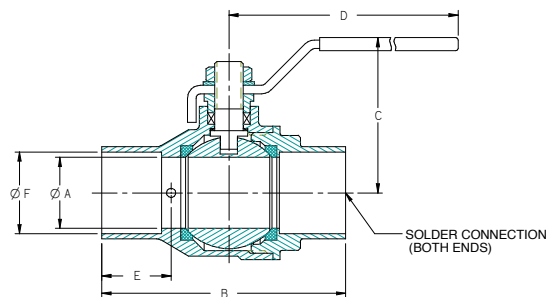
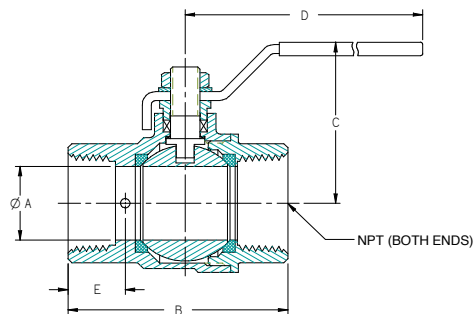
- ANSI B1.20.1, "Pipe Threads, General Purpose"
- ANSI B16.18, "Cast Copper Alloy Solder Joint Pressure Fittings"
- ANSI B16.22, "Wrought Copper and Copper Alloy Solder Joint Pressure Fittings"
- MSS SP-110, "Ball Valves; Threaded, Socket-welding, Solder Joint, Grooved and Flared Ends"

## MATERIALS

Body	Forged Brass (Cu >57%)
Retainer	Forged Brass (Cu >57%)
Ball	Brass, Cr plated
Stem	Brass
Seat Ring	PTFE
Packing	PTFE
Packing Nut	Brass, UNS C34000
Packing Gland	Copper Alloy (Cu >57%)
Friction Washer	PTFE
Handle	Zinc Plated Steel
Handle Grip	Vinyl Plastisol



## DIMENSIONS



Part No.	Size	Ø A	B	C	D	E	Ø F	Wt. (lbs.)
<b>NPT</b>								
95A-303	1/2"	0.591	2.283	1.713	3.346	0.62	-	0.55
95A-304	3/4"	0.756	2.461	2.008	4.331	0.64	-	0.79
95A-305	1"	0.984	3.539	2.106	4.331	0.78	-	1.06
<b>SWEAT</b>								
95A-403	1/2"	0.591	2.205	1.713	3.346	0.55	0.62	0.44
95A-404	3/4"	0.756	2.933	2.008	4.331	0.86	0.87	0.76
95A-405	1"	0.984	3.366	2.106	4.331	1.02	1.12	0.98

Conbraco Industries, Inc. 701 Matthews Mint Hill Rd. Matthews NC 28106 USA; [www.conbraco.com](http://www.conbraco.com) ; 704-841-6000

This specification is provided for reference only. Conbraco reserves the right to change any portion of this specification without notice and without incurring obligation to make such changes to Conbraco products previously or subsequently sold.