



32-200 SERIES

Solder End Bronze Ball Valve

| | |
|----------------------|-------------------------------|
| Job Name: | Contractor: |
| Job Location: | P.O. Number: |
| Engineer: | Representative: |
| Tag: | Wholesale Distributor: |

DESCRIPTION

The Apollo® 32-200 Series is a regular port Bronze Ball Valve featuring a proven ASTM Grade bronze body designed to be soft soldered into lines without disassembly.

FEATURES

- Adjustable Packing Gland
- Blow-Out Proof Stem Design
- PTFE Seats and RPTFE Stem Packing
- Chromium Plated Ball

PERFORMANCE RATING

- Maximum Pressure: 400 psi CWP, 125 psi SWP
- Maximum Temperature: 400°F
- Vacuum Service to 29 in. Hg

OPTIONS

- (-07) Tee Handle
- (-27) Locking Handle
- (-49) Assembled Dry

STANDARD MATERIALS LIST

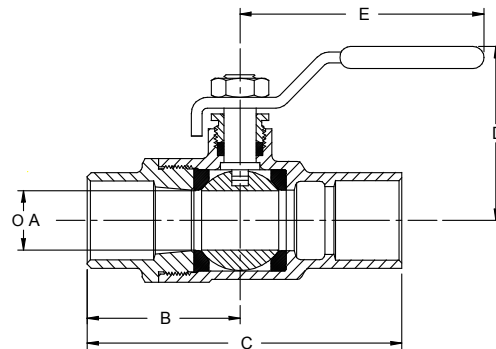
| Part Name | Material |
|----------------------------|-----------------------------|
| Lever and Grip | Steel, Zinc Plated w/ Vinyl |
| Stem Packing | RPTFE |
| Ball | B16 Brass, Chrome Plated |
| Seat (2) | PTFE |
| Retainer | B16 Brass |
| Gland Nut | B16 Brass |
| Stem | B16 Brass |
| Lever Screw (1/4" to 1/2") | Steel, Zinc Plated |
| Lever Nut (3/4" to 2") | Steel, Zinc Plated |
| Body | B584 Bronze-C84400 |

APPROVALS

- MSS SP-110; Ball Valves Threaded, Socket-Welding, Solder Joint, Grooved and Flared Ends
- CRN: OC10908.5



DIMENSIONS



| Model Number | Size (in.) | Dimensions | | | | |
|--------------|------------|------------|------|------|------|------|
| | | A | B | C | D | E |
| 32-203 | 1/2" | 0.40 | 1.29 | 2.65 | 1.68 | 2.87 |
| 32-204 | 3/4" | 0.65 | 1.73 | 3.56 | 1.90 | 3.87 |
| 32-205 | 1" | 0.75 | 2.11 | 4.26 | 2.18 | 4.87 |
| 32-206 | 1 1/4" | 1.00 | 2.36 | 4.60 | 2.53 | 5.50 |
| 32-207 | 1 1/2" | 1.12 | 2.84 | 5.42 | 2.69 | 5.50 |
| 32-208 | 2" | 1.50 | 3.33 | 6.48 | 2.94 | 5.50 |

Conbraco Industries, Inc. 701 Matthews Mint Hill Rd. Matthews NC 28106 USA; www.conbraco.com; 704-841-6000

This specification is provided for reference only. Conbraco reserves the right to change any portion of this specification without notice and without incurring obligation to make such changes to Conbraco products previously or subsequently sold.