



submittal sheet

# RPLF4AN series

reduced pressure principle backflow preventer

**lead free**



TriForce™ check



job name:	
job location:	
engineer:	
contractor:	
tag:	
po#:	
rep:	
wholesale dist.:	

## description

the 2-1/2" - 12" lead free reduced pressure principle backflow preventer shall be an Apollo model RPLF4AN lead free\*. the assembly shall be manufactured in america and carry a 5-year Apollo factory warranty. the normally vertical up / vertical down (n-shape) oriented body shall incorporate an internal swivel connection providing the ability to pivot the second check 180°, producing a vertical up rp assembly. the triforce™ center-stem guided check valves shall feature reversible silicone rubber seat discs. the check valves shall be held in place by drop-in retainers (2-1/2" - 6") or ss studs & nuts (8" - 12"). access to the check valves and relief valve internals shall be by an Apollo quick-connect ss coupling (2-1/2" - 6") or grooved couplings (covers) and ss bolts (relief valves) (8" - 12"). the bodies shall be domestic ss in 2-1/2" - 8" sizes and fda epoxy coated ductile iron in 10" & 12" sizes. the lead free\* Apollo ball valve test cocks shall have ss handles. the assembly shall prevent contamination of the potable water supply due to back-siphonage or backpressure from substances that are health or non-health hazards. the pressure drop across the assembly shall be documented by an independent laboratory.

## features

- domestic stainless steel body: 2-1/2" - 8"
- FDA epoxy coated ductile iron body: 10" & 12"
- easy maintenance - no special tools required
- snap-in check retainers: 2-1/2" - 6"
- bolted-in checks: 8" - 12"
- low pressure loss as documented by an independent laboratory
- center-stem guided triforce™ check valves
- small installation space required - small footprint
- approved for n-flow (2-1/2" - 12") and vertical flow up (2-1/2" - 8")
- US patents: 6,443,184; 7,025,085; 7,533,699; 8,240,333
- made in the USA

## performance rating

- maximum working pressure: 175 psi
- temperature range: 33 ° F - 140 ° F
- hydrostatic test pressure: 350 psi

## approvals

- sizes 2-1/2 - 12": AWWA C511
- sizes 2-1/2 - 12": ASSE 1013-2011, CSA B64.4, FM, IAPMO, UL\*, cUL\*
- NSF/ANSI 61 lead free (sizes 2-1/2 - 12")
- NSF/ANSI 372 water quality (sizes 2-1/2 - 12")
- approved by the foundation for cross-connection control and hydraulic research at the university of southern california (2-1/2" - 12")

\*UL and cUL installations must include indicating-type shut-off valves

## standard materials list

<b>body (2-1/2" - 8")</b>	304 stainless steel
<b>body (10" &amp; 12")</b>	FDA epoxy coated ductile iron
<b>covers (2-1/2" - 6")</b>	glass filled PPO/SS
<b>covers (8")</b>	304 stainless steel
<b>covers (10" &amp; 12")</b>	FDA epoxy coated ductile iron
<b>relief valve</b>	bronze (C84400/LF C89836)
<b>check valves</b>	bronze/glass-filled PPO/SS
<b>springs</b>	stainless steel
<b>seat discs</b>	chloramine-resistant silicone

## part number matrix

4ANLF	2 X	X	0 X	X
	Y-STRAINER	SIZE	SHUT-OFF VALVES	OPTIONS
4ANLF - LEAD FREE	0 - STANDARD	9 - 2-1/2"	1 - LESS SHUT-OFF VALVES	D - DOMESTIC ASSEMBLY
	1 - W/ Y-STRAINER (SHIPPED LOOSE)	0 - 3"	2 - NRS FLANGE X NRS FLANGE	
		A - 4"	3 - OS&Y FLANGE X OS&Y FLANGE	
		C - 6"	4 - OS&Y FLANGE X MONITORED (MON.) BUTTERFLY VALVE GROOVE†	
		E - 8"	6 - OS&Y FLANGE X POST INDICATOR FLANGE	
		G - 10"	7 - OS&Y FLANGE X OS&Y GROOVE	
		H - 12"	8 - OS&Y GROOVE X OS&Y GROOVE	
			9 - MON. BUTTERFLY VALVE GROOVE X MON. BUTTERFLY VALVE GROOVE†	
			10 - OS&Y FLANGE X POST INDICATOR GROOVE	
			11 - NRS GROOVE X NRS GROOVE	
			12 - NRS FLANGE X NRS GROOVE	
			13 - POST INDICATOR FLANGE X MON. BUTTERFLY VALVE GROOVE†	
			14 - POST INDICATOR FLANGE X POST INDICATOR FLANGE	
			16 - MON BUTTERFLY VALVE GROOVE X POST INDICATOR FLANGE†	
			17 - POST INDICATOR FLANGE X OS&Y GROOVE	
			18 - OS&Y GROOVE X POST INDICATOR GROOVE	
			19 - MON. BUTTERFLY VALVE GROOVE X POST INDICATOR GROOVE	
			20 - POST INDICATOR FLANGE X OS&Y FLANGE	
			21 - POST INDICATOR GROOVE X OS&Y GROOVE	
			22 - POST INDICATOR GROOVE X MON. BUTTERFLY VALVE GROOVE†	
			23 - MON. BUTTERFLY VALVE GROOVE X OS&Y FLANGE	

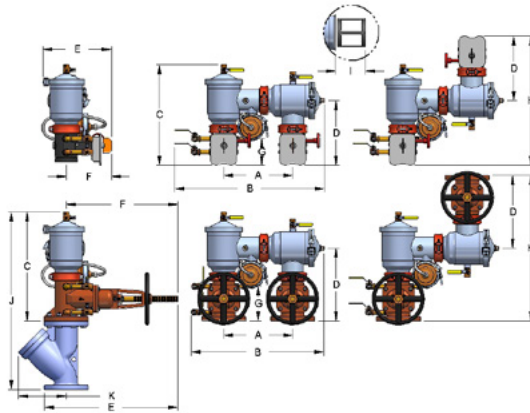
example: 4A 215 A4LL = 4" size reduced pressure assembly with OS&Y flanged inlet x OS&Y grooved outlet shut-off valves

† butterfly valves not available in 10 & 12" size.

\*lead free: the wetted surfaces of this product shall contain no more than 0.25% lead by weighted average. complies with Federal Public Law 111-380. ANSI 3rd party approved and listed.

# RPLF4AN series

reduced pressure principle backflow preventer  
**lead free**



## dimensions

DIMENSIONS	2-1/2"	65MM	3"	80MM	4"	100MM	6"	150MM	8"	200MM	10"	250MM	12"	300MM
A (Centerline to Centerline)	12.5	318	12.5	318	14.0	356	16.0	406	18.5	470	21.0	533	26.8	679
B (Butterfly Valves)	25.5	648	25.6	651	28.1	714	33.3	845	38.1	968	N/A	N/A	N/A	N/A
B (Gate Valves)	24.5	622	24.5	622	27.0	686	32.0	813	40.8	1035	49.0	1245	55.8	1416
C (Butterfly Valves)	18.8	476	19.0	483	20.8	527	25.0	635	29.5	749	34.8	883	N/A	N/A
C (Gate Valves)	19.6	498	20.0	508	22.5	572	27.8	705	32.1	816	40.0	1016	44.0	1118
D (Butterfly Valves)	11.5	292	11.8	298	12.5	318	14.6	371	17.9	454	N/A	N/A	N/A	N/A
D (Gate Valves)	13.0	330	13.5	343	14.9	378	18.0	457	21.3	542	24.8	629	28.8	730
E (Butterfly Valves)	12.1	308	13.1	333	14.8	375	18.3	465	25.9	657	N/A	N/A	N/A	N/A
E (OS&Y Open)	21.9	556	23.9	606	25.6	651	35.5	902	45.1	1146	56.8	1441	62.8	1594
E (NRS/PI)	15.6	397	16.9	429	18.6	473	23.8	603	29.1	740	36.3	921	40.0	1016
F (Butterfly Valves)	8.6	219	9.6	244	10.9	276	12.5	318	16.5	419	N/A	N/A	N/A	N/A
F (OS&Y Open)	18.0	457	20.0	508	21.0	533	29.5	749	37.0	940	45.0	1143	53.1	1349
F (NRS/PI)	11.8	298	13.0	330	14.0	356	17.8	451	21.0	533	24.5	622	30.0	762
G (Butterfly Valves)	3.0	76	3.3	83	4.3	110	5.1	130	4.8	121	N/A	N/A	N/A	N/A
G (Gate Valves)	5.3	133	6.0	152	6.0	152	9.0	229	9.0	229	9.0	229	10.0	254
H (Butterfly Valves)	23.0	584	23.5	597	25.0	635	29.3	743	35.8	908	N/A	N/A	N/A	N/A
H (Gate Valves)	26.0	660	27.0	686	29.8	756	36.0	914	42.8	1086	N/A	N/A	N/A	N/A
I (Check Removal Clearance)	6.0	152	6.0	152	6.0	152	8.0	203	8.5	216	12.0	305	12.0	305
J (Strainer Length)	10.9	277	11.6	295	14.0	356	18.6	472	25.5	648	26.1	663	30.1	765
K (Strainer Clearance)	8.0	203	8.8	224	9.5	241	12.6	320	16.4	417	19.0	483	22.0	559
Test Cocks (NPT)	1/2"	13	1/2"	13	1/2"	13	3/4"	20	3/4"	20	3/4"	20	3/4"	20
WEIGHTS	LB.	KG	LB.	KG	LB.	KG	LB.	KG	LB.	KG	LB.	KG	LB.	KG
Net Wt. (w/ Butterfly Valves)	100.0	45	104.0	47	129.0	59	172.0	78	492.0	223	N/A	N/A	N/A	N/A
Ship Wt. (w/ Butterfly Valves)	161.0	73	165.0	75	190.0	86	252.0	114	627.0	284	N/A	N/A	N/A	N/A
Net Wt. (w/ NRS/Post Indicator Valves)	125.0	57	150.0	68	197.0	89	322.0	146	788.0	357	1487.0	674	2103.0	954
Ship Wt. (w/ NRS/Post Indicator Valves)	186.0	84	211.0	96	258.0	117	402.0	182	923.0	419	1677.0	761	2293.0	1040
Net Wt. (w/ OS&Y Valves)	135.0	61	160.0	73	203.0	92	332.0	151	802.0	364	1509.0	684	2157.0	978
Ship Wt. (w/ OS&Y Valves)	196.0	89	221.0	100	264.0	120	412.0	187	937.0	425	1699.0	771	2347.0	1065

notes:  
nominal dimensions are shown. allowances must be made for manufacturers' tolerances.  
internal body connections are grooved on 2 1/2" - 10" sizes.  
internal body connections are flanged on 12" size.  
strainer option only available for flanged-end shut-off options.



Valves

submittal  
sheet

# RPLF4AN series

reduced pressure principle backflow preventer  
**lead free**

## flow curves

pressure loss versus flow data as determined by independent approval agencies.

